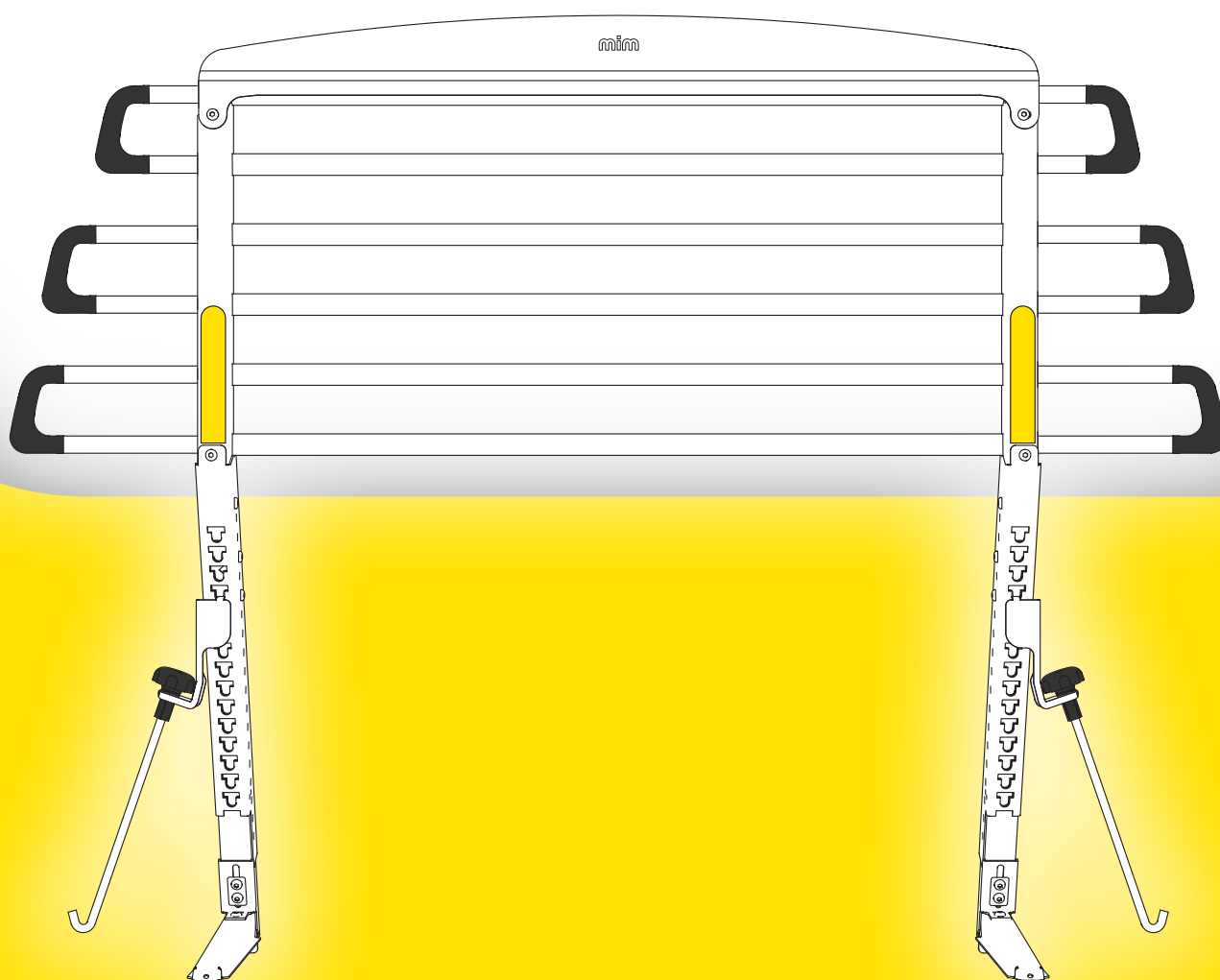


# mimSAFE

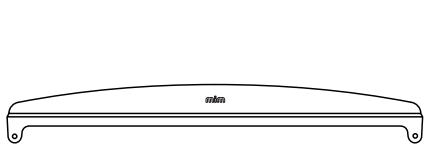
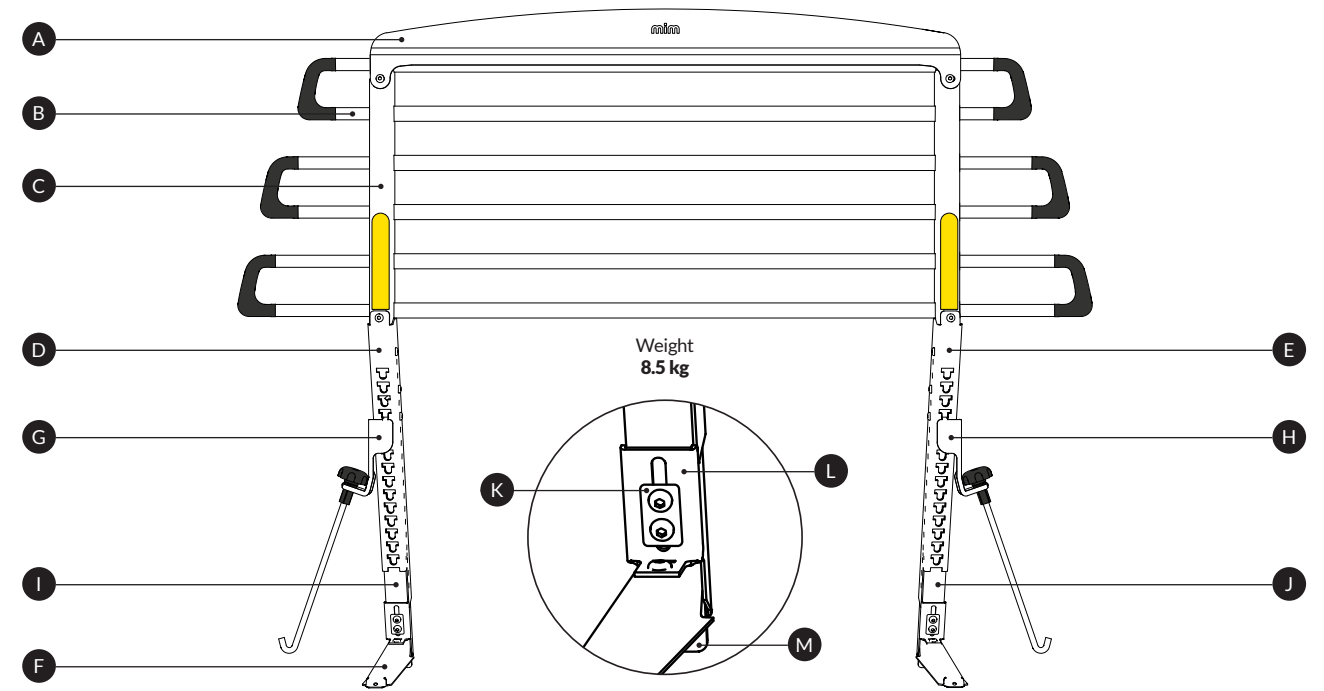
[www.mimsafe.se](http://www.mimsafe.se)



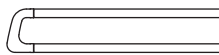
ASSEMBLY INSTRUCTIONS

## VARIOBARRIER

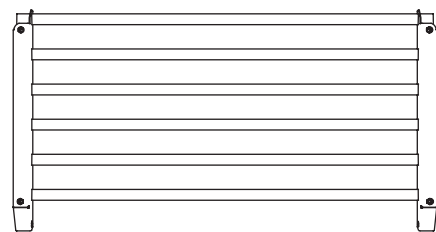
medium



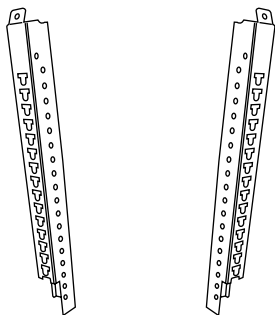
**A** F524  
Part no 1x



**B** F521  
Part no 6x



**C** FS509  
Part no 1x



**D** F514L  
Part no 1x

**E** F514R  
Part no 1x

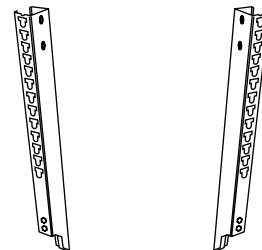


**F** F522  
Part no 2x









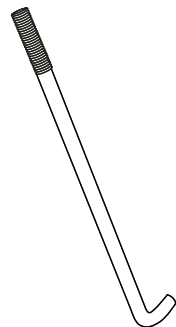

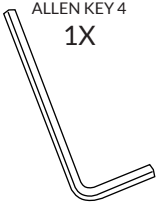




**G** F526L  
Part no 1x

**H** F526R  
Part no 1x

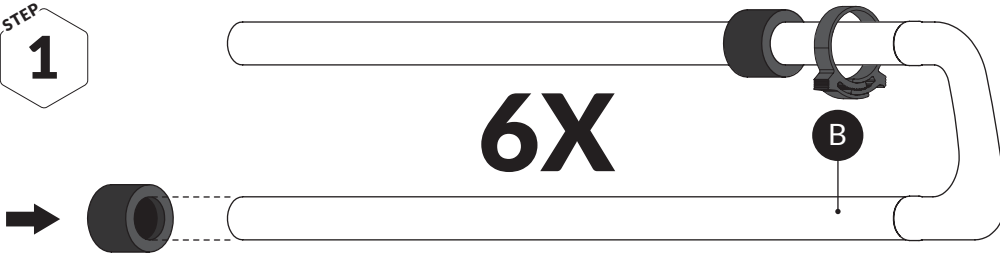




**I** F510L  
Part no 1x

**J** F510R  
Part no 1x

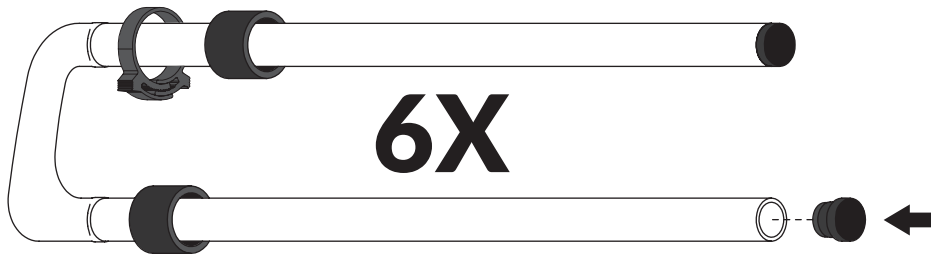
M-10700 6X  <b>OPTIONAL</b>	F529 2X  <b>K</b>	F527 2X  <b>L</b>	F528 2X  <b>M</b>	M-460641AY 12X  rubber end caps	M-460641AL 12X  plastic end caps	M-M37202_2004 2X 
M-SM6X14AI 18X 	ALLEN KEY 4 1X 	M-10322 1X 	M-10683 2X 	M-460641K 2X 	M-460641I 2X 	


STEP  
**1**



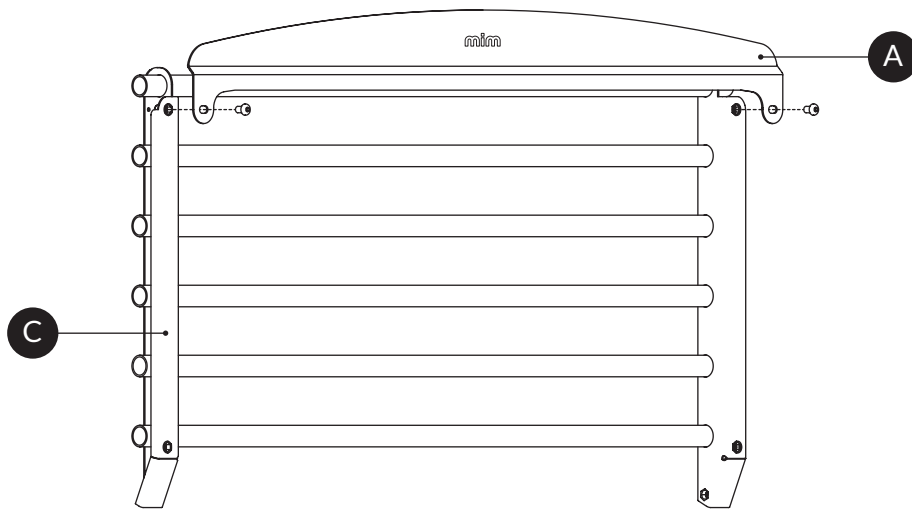
M-10700 <b>6X</b>  <b>OPTIONAL</b>	M-460641AY <b>12X</b>  rubber end caps
--	--


STEP  
**2**



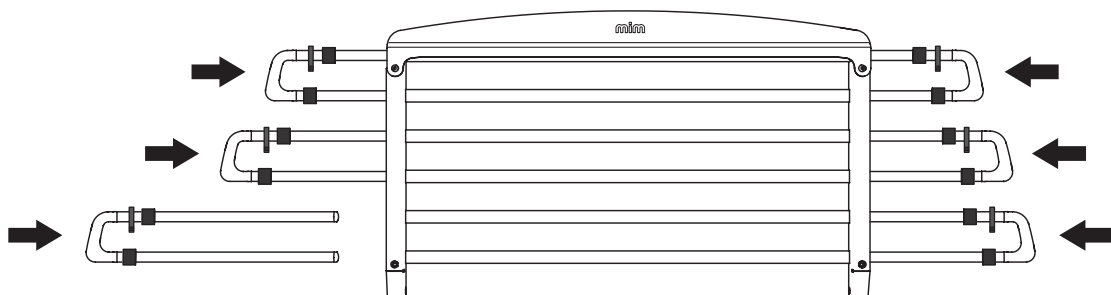
M-460641AL <b>12X</b>  plastic end caps
---

STEP  
**3**

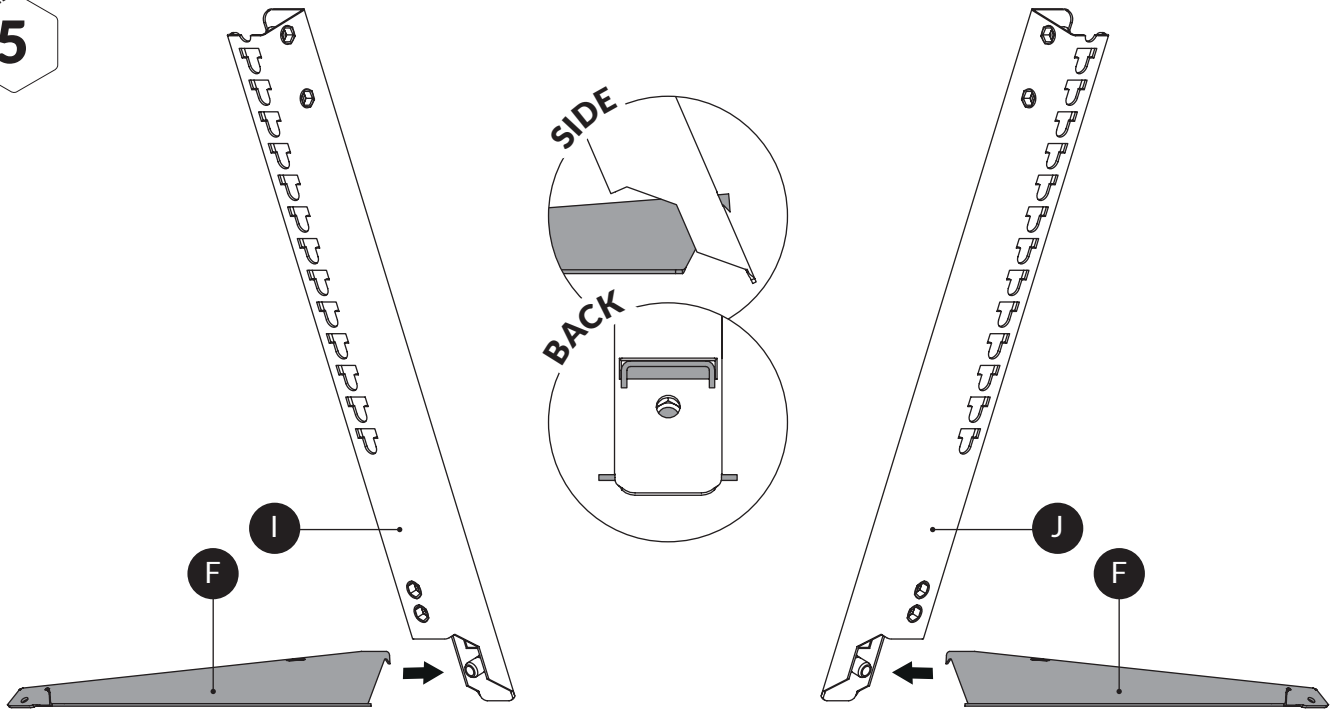


M-SM6X14AI <b>2X</b> 
--

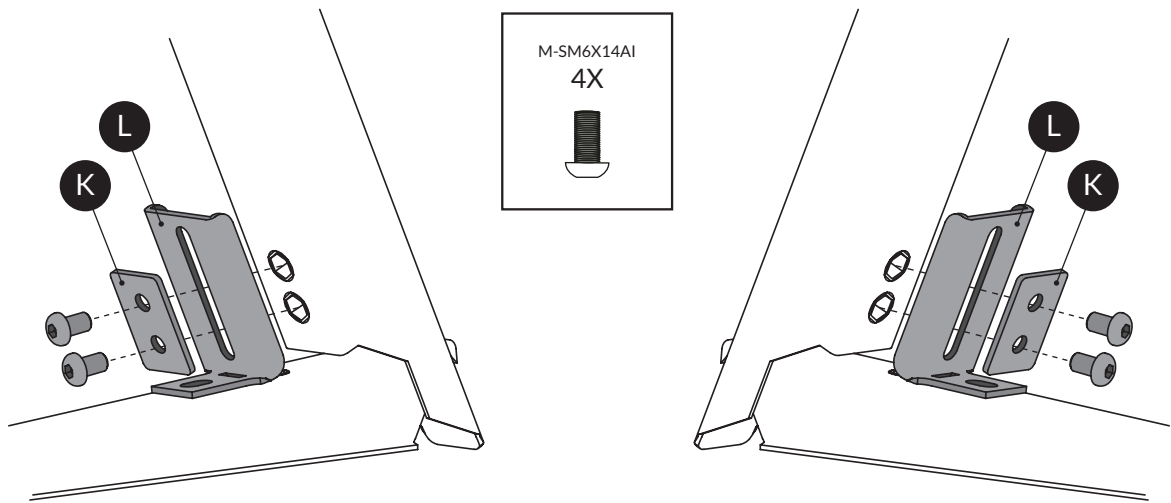
STEP  
**4**



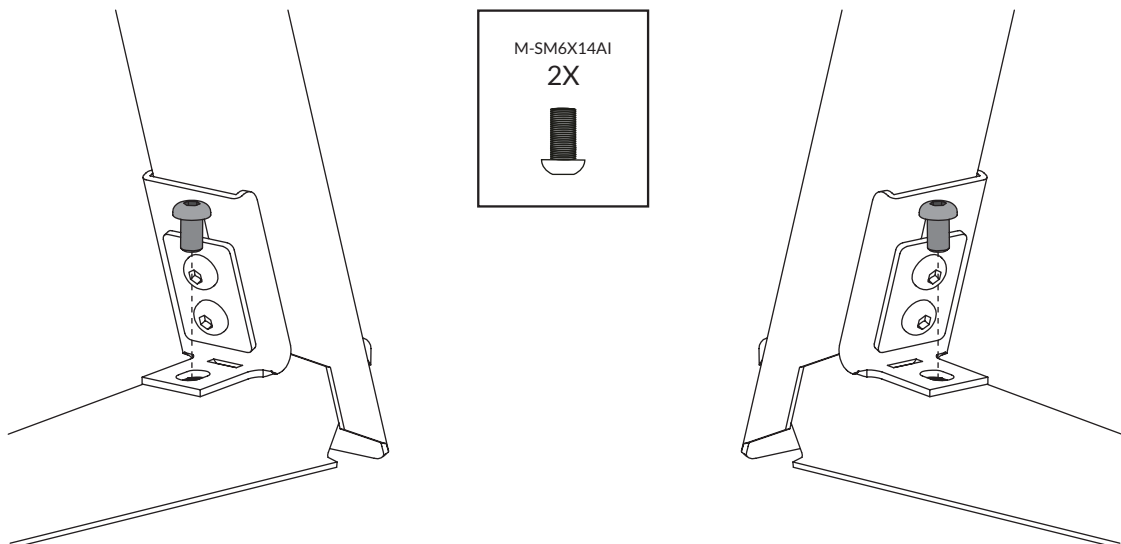
STEP  
**5**



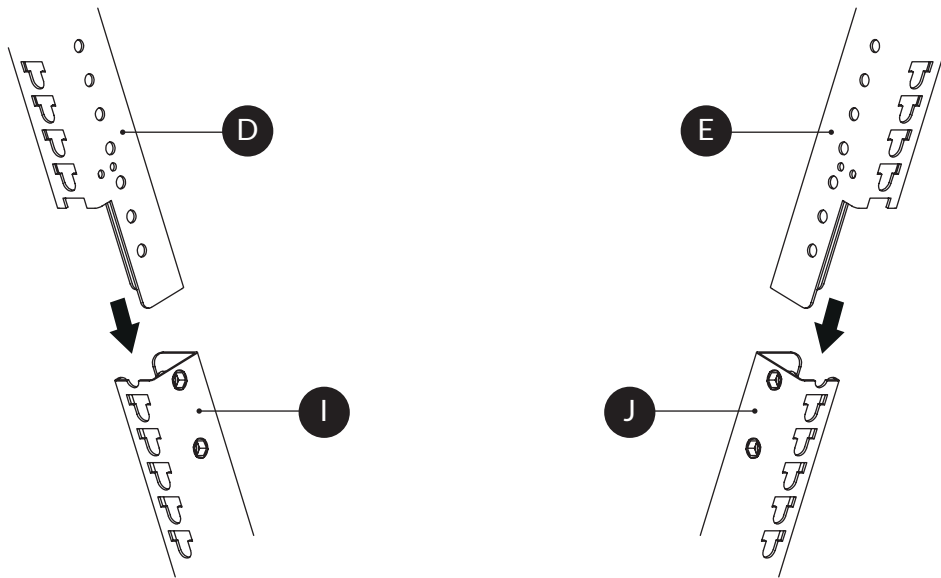
STEP  
**6**



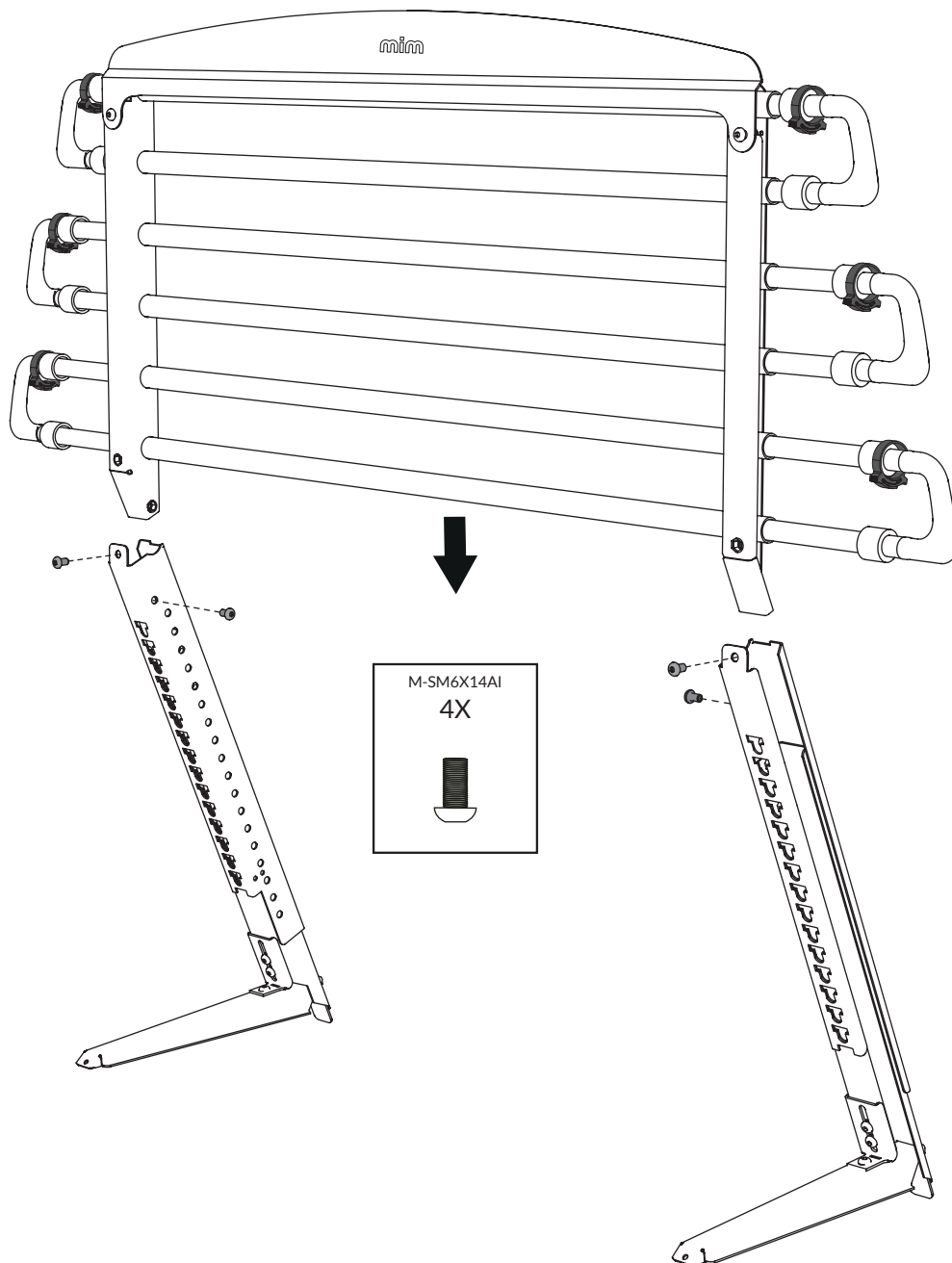
STEP  
**7**



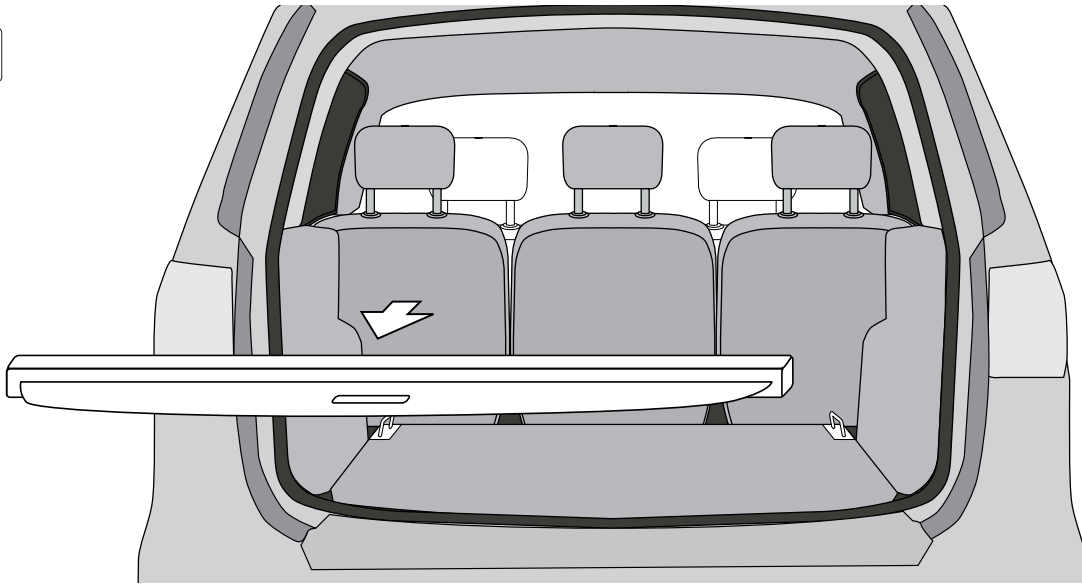
STEP  
**8**



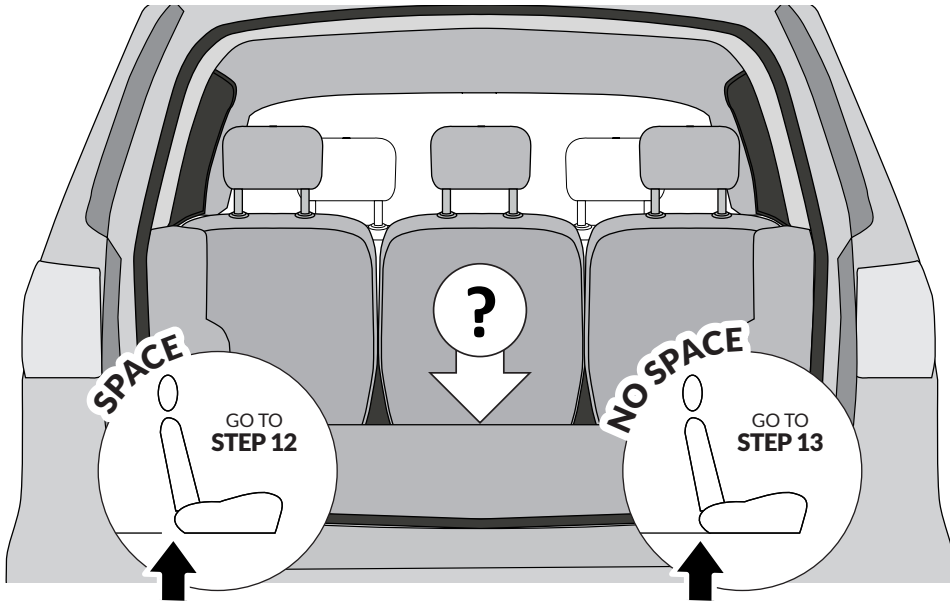
STEP  
**9**



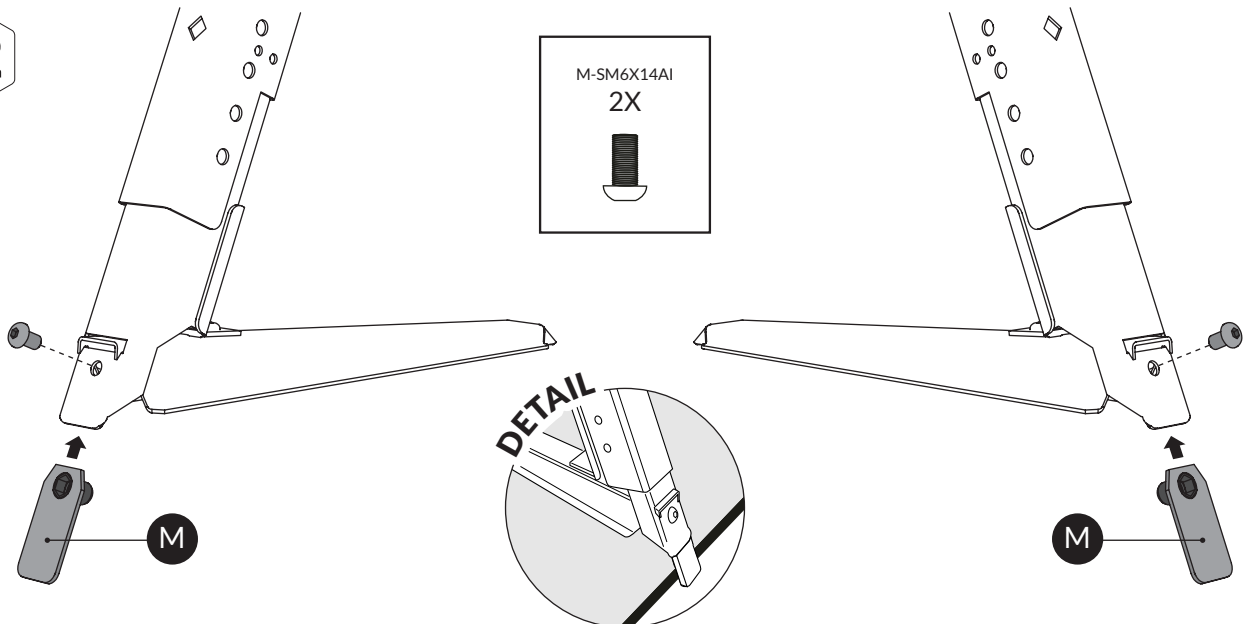
STEP  
**10**



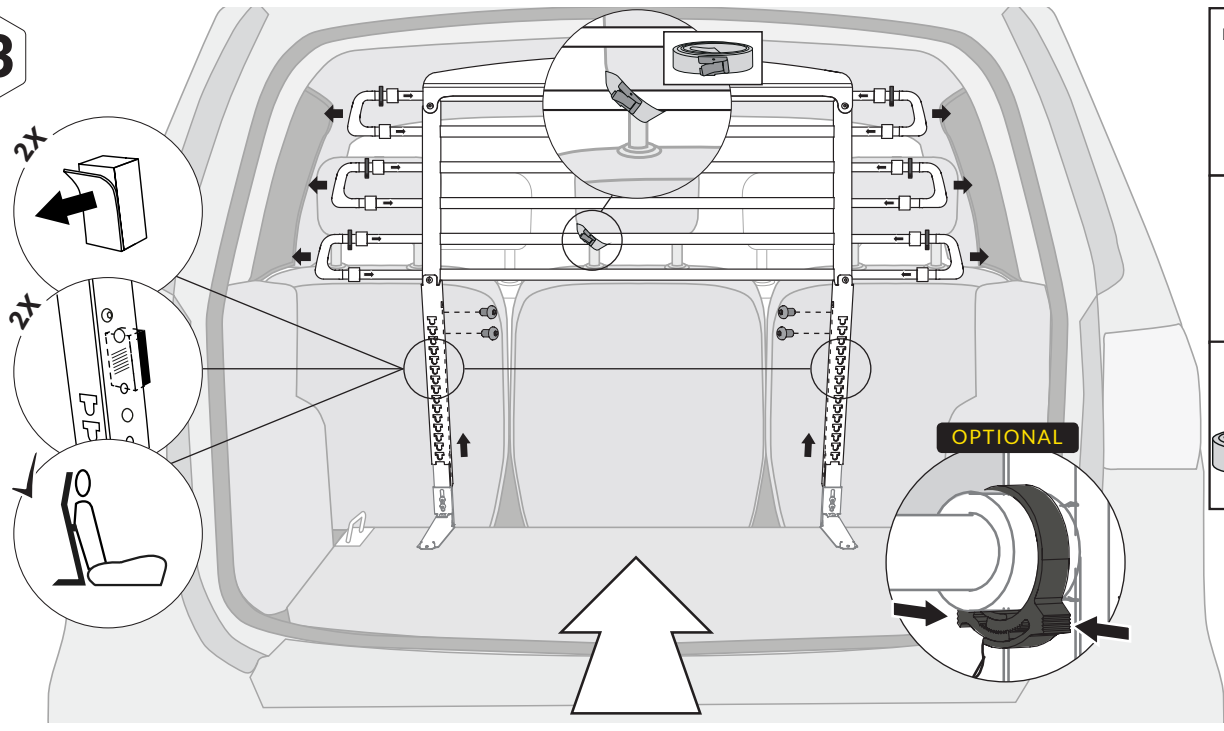
STEP  
**11**



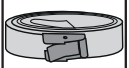


STEP  
**12**



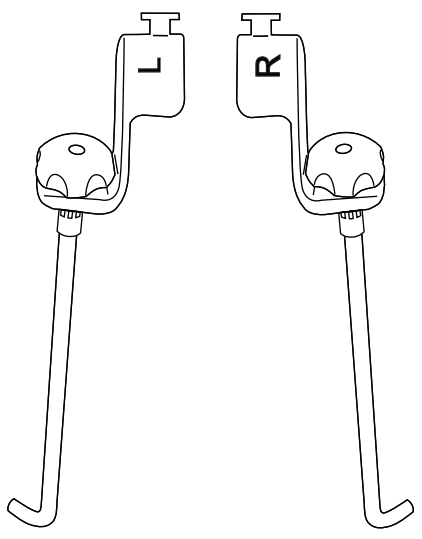
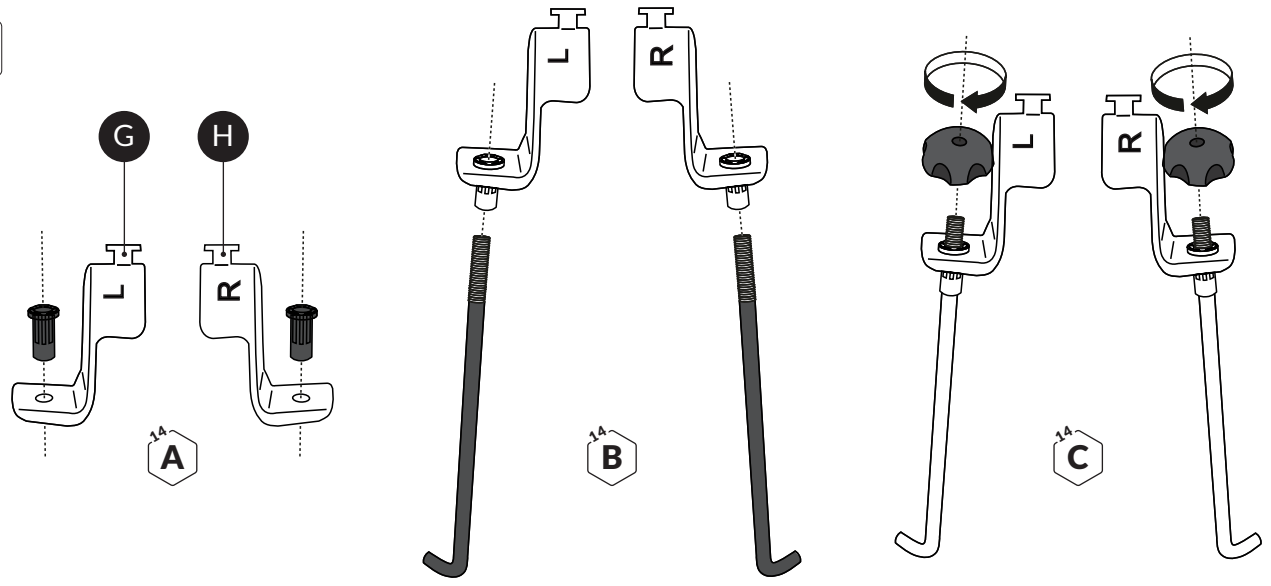
STEP  
**13**



- M-SM6X14AI  
4X  

- M-10683  
2X  

- M-10322  
1X  


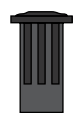
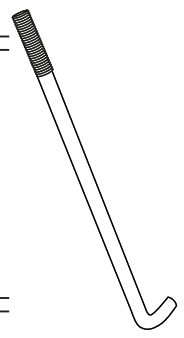

**OPTIONAL**

STEP  
**14**



**NO TOOLS IN THIS STEP  
USE HANDS ONLY**



- |  |  |
|--|--|
| M-460641K<br>2X<br> | M-M37202_2004<br>2X<br> |
| M-460641I<br>2X<br> |  |

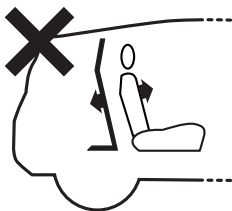
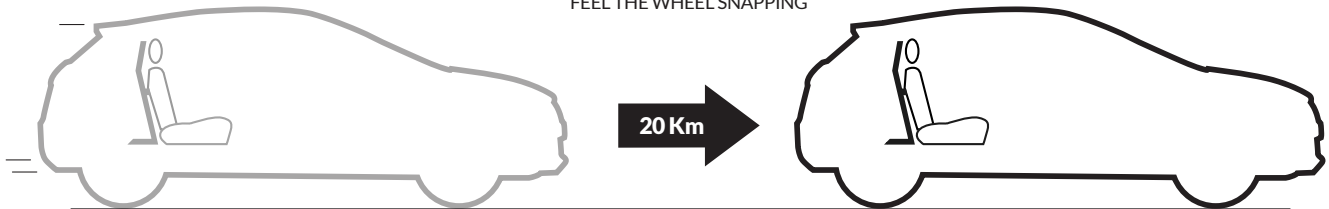
STEP  
**15**



STEP  
**16**



USE HANDS ONLY  
**TIGHTEN THE WHEELS AGAIN**  
FEEL THE WHEEL SNAPPING

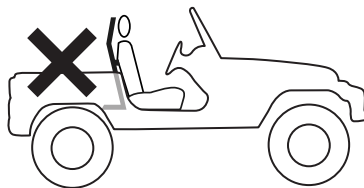


VarioBarrier must  
**ALWAYS BE PLACED**  
against the back seat



**WARNING**

VarioBarrier is  
**NOT SUITABLE FOR**  
outdoor use



Wipe with a  
**DAMP CLOTH**  
with soap

