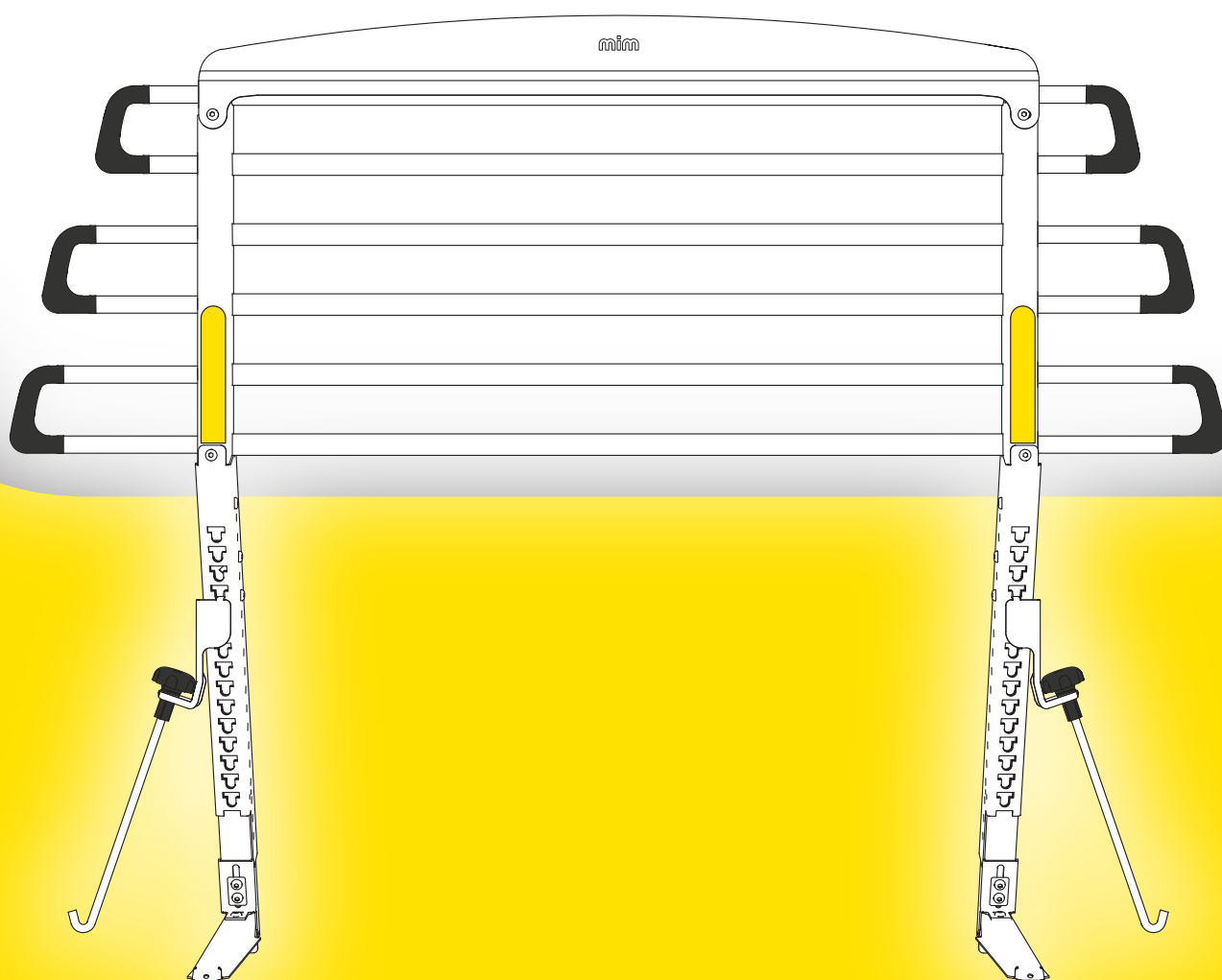


# mimSAFE

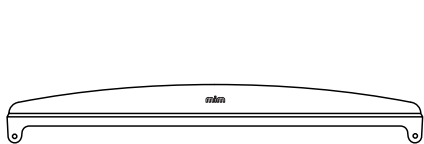
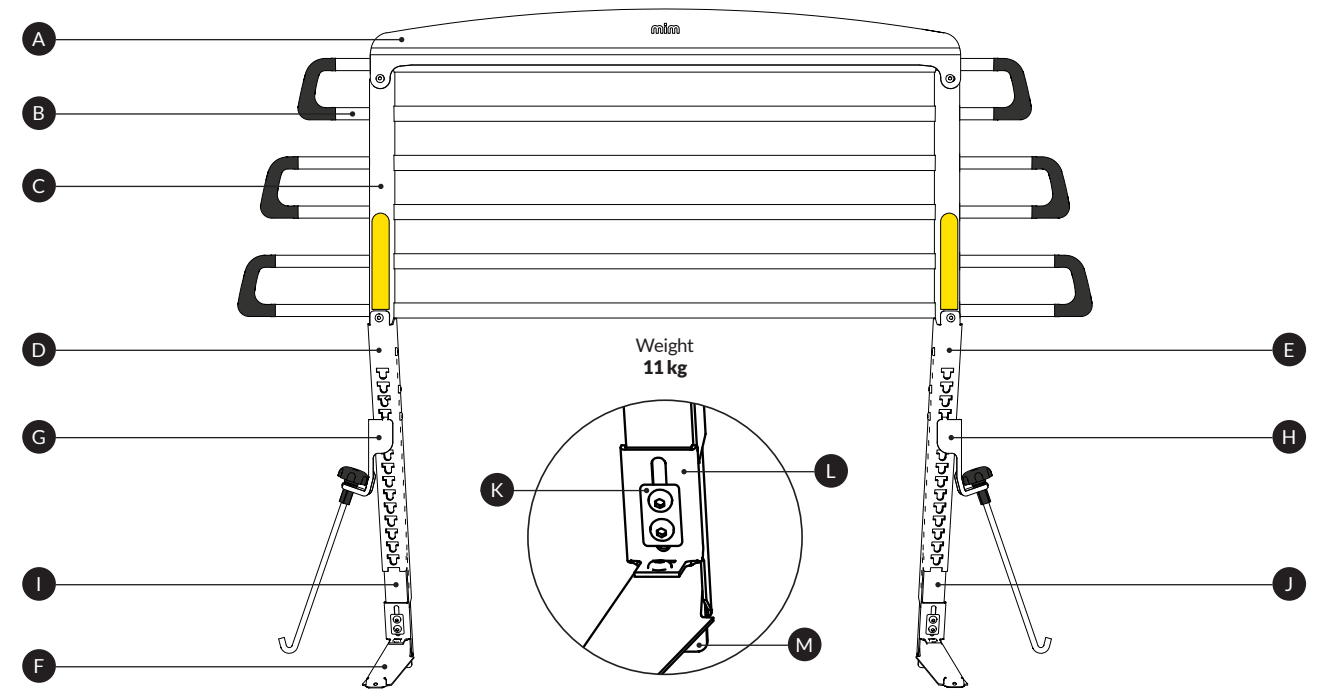
[www.mimsafe.se](http://www.mimsafe.se)



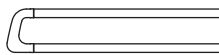
ASSEMBLY INSTRUCTIONS

# VARIOBARRIER

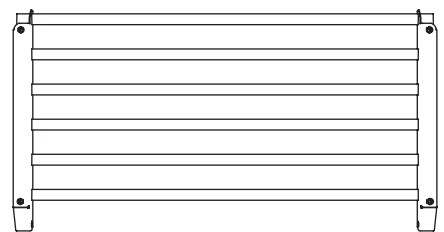
large



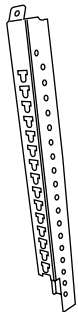
**A** F525  
Part no 1x



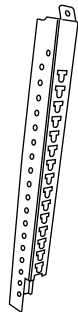
**B** F521  
Part no 6x



**C** FS510  
Part no 1x



**D** F515L  
Part no 1x



**E** F515R  
Part no 1x



**F** F523  
Part no 2x



**G** F526L  
Part no 1x



**H** F526R  
Part no 1x



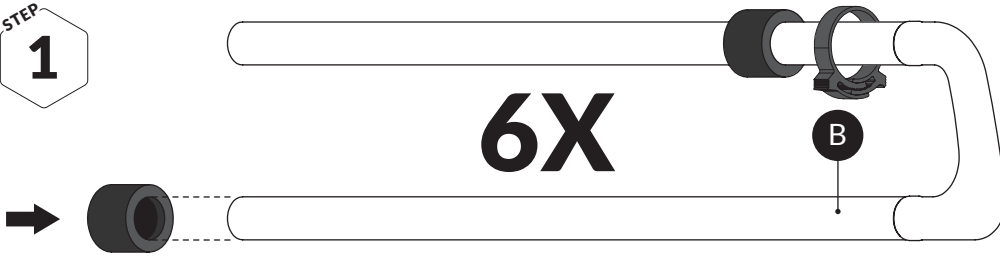
**I** F511L  
Part no 1x





**J** F511R  
Part no 1x

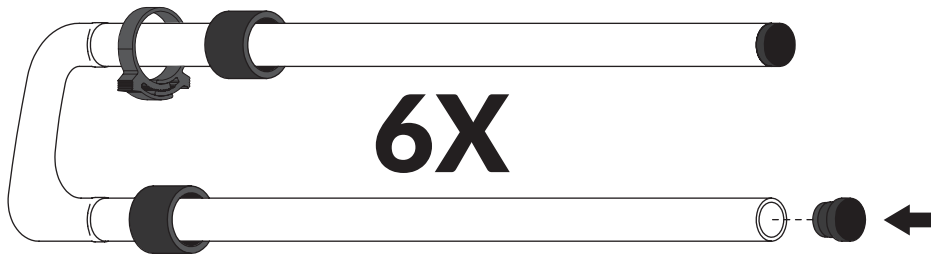
<p>M-10700 6X</p> <p><b>OPTIONAL</b></p>	<p>F529 2X</p> <p><b>K</b></p>	<p>F527 2X</p> <p><b>L</b></p>	<p>F528 2X</p> <p><b>M</b></p>	<p>M-460641AY 12X</p> <p>rubber end caps</p>	<p>M-460641AL 12X</p> <p>plastic end caps</p>	<p>M-M37202_2004 2X</p>
<p>M-SM6X14AI 18X</p>	<p>ALLEN KEY 4 1X</p>	<p>M-10683 2X</p>	<p>M-460641K 2X</p>	<p>M-460641I 2X</p>	<p>M-460641I 2X</p>	<p>M-M37202_2004 2X</p>


STEP  
**1**



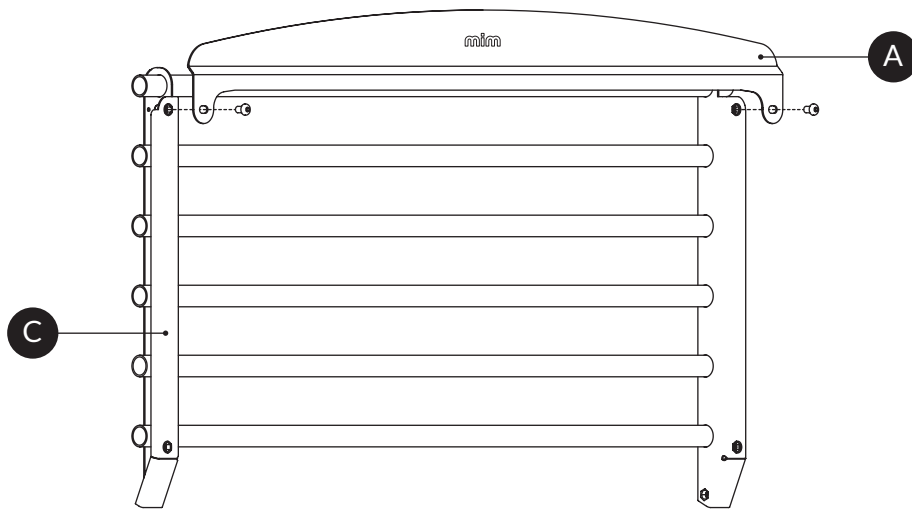
M-10700 <b>6X</b>  <b>OPTIONAL</b>	M-460641AY <b>12X</b>  rubber end caps
--------------------------------------------------------------------------------------------------------------------------------	------------------------------------------------------------------------------------------------------------------------------------


STEP  
**2**



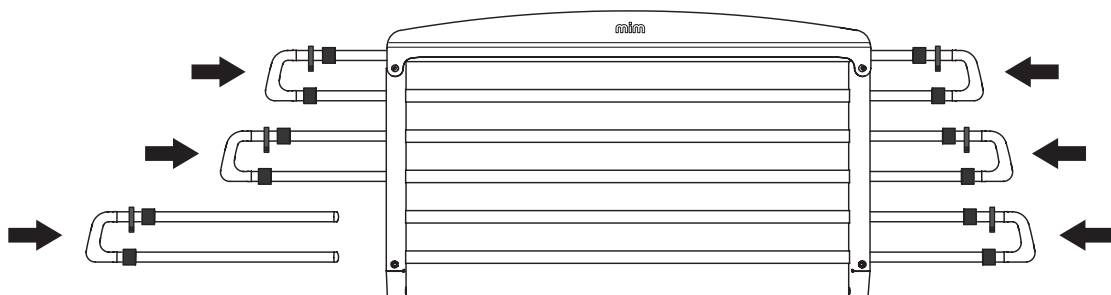
M-460641AL <b>12X</b>  plastic end caps
-------------------------------------------------------------------------------------------------------------------------------------

STEP  
**3**

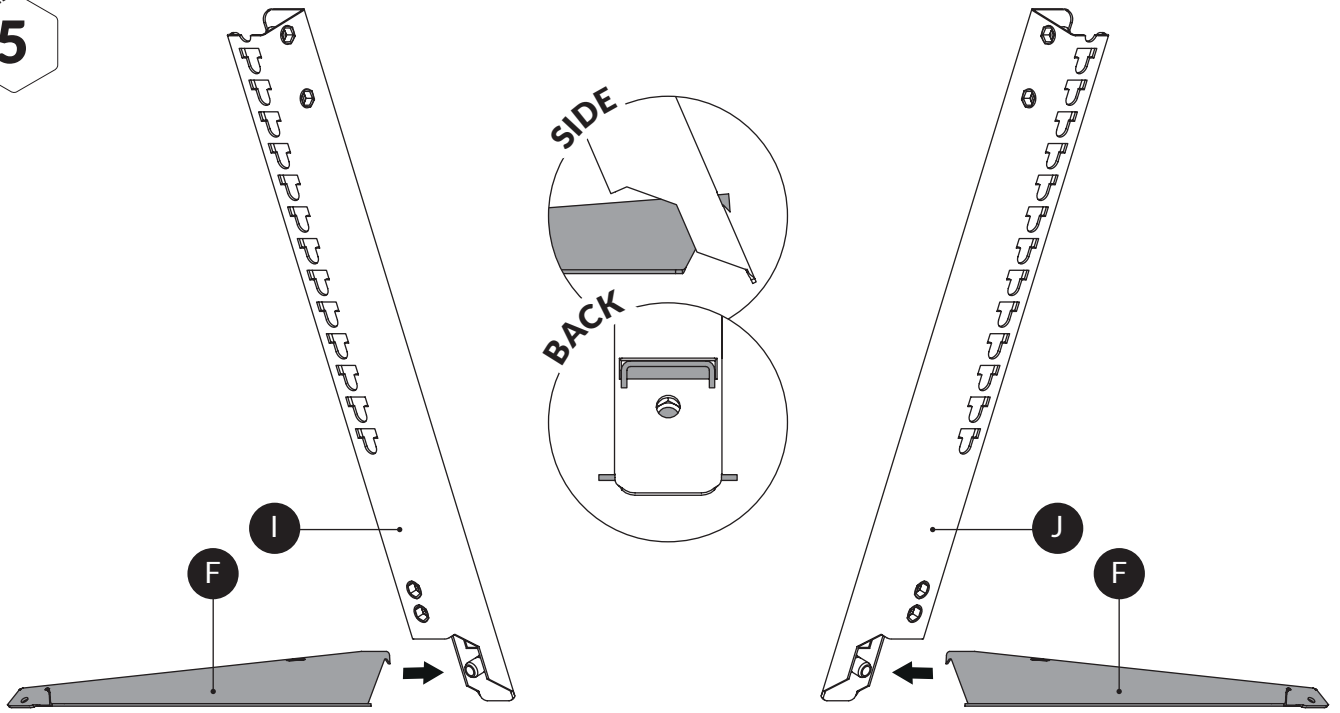


M-SM6X14AI <b>2X</b> 
------------------------------------------------------------------------------------------------------------------

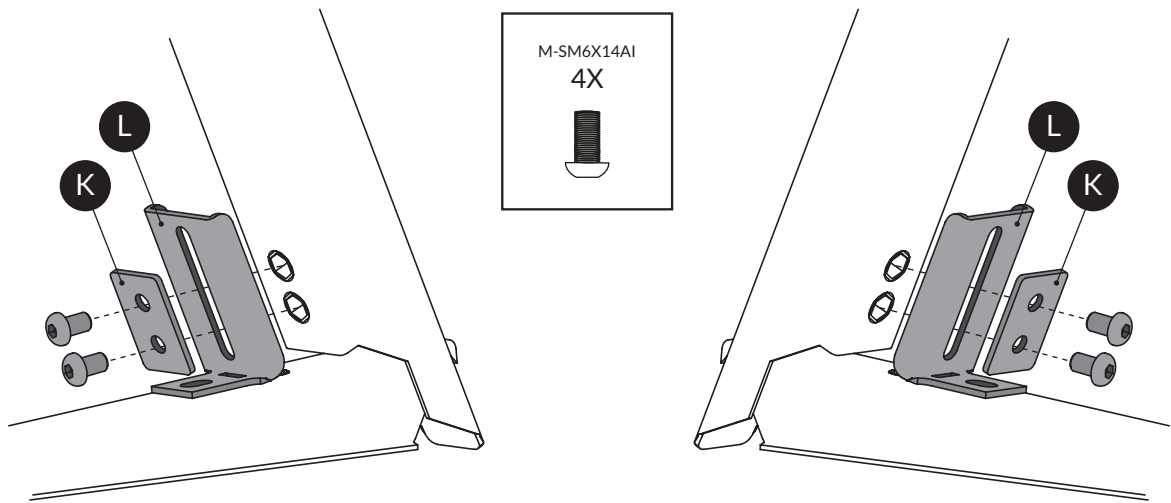
STEP  
**4**



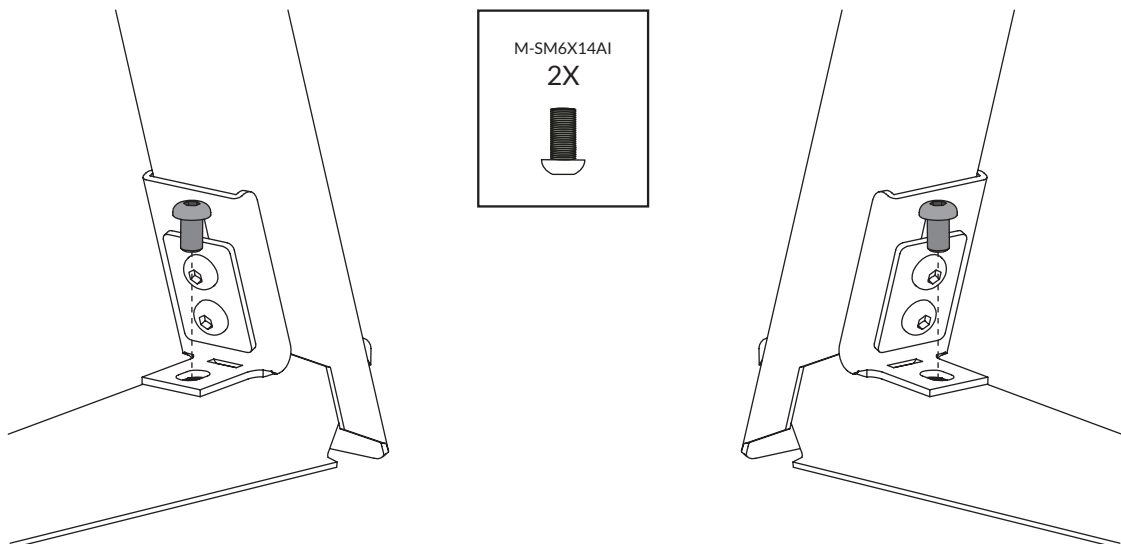
STEP  
**5**



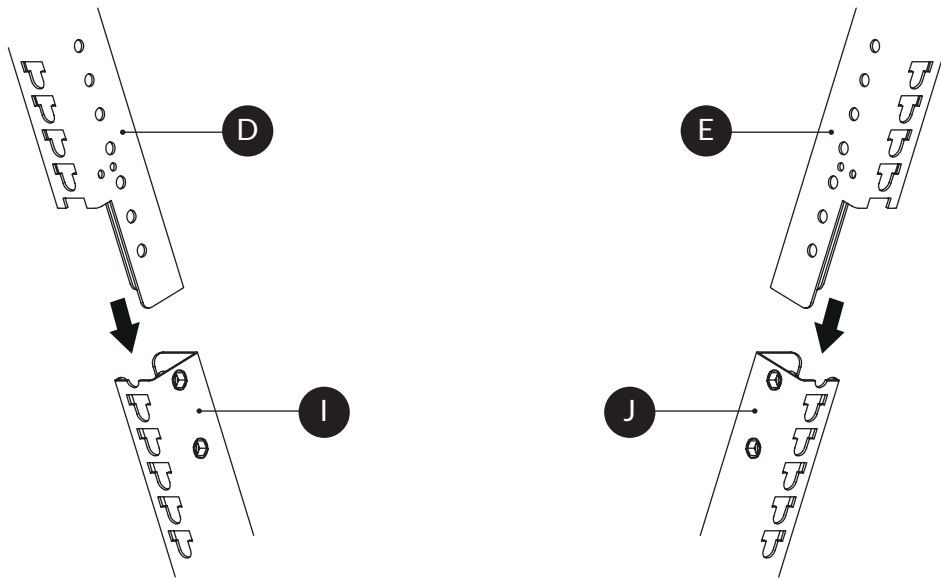
STEP  
**6**



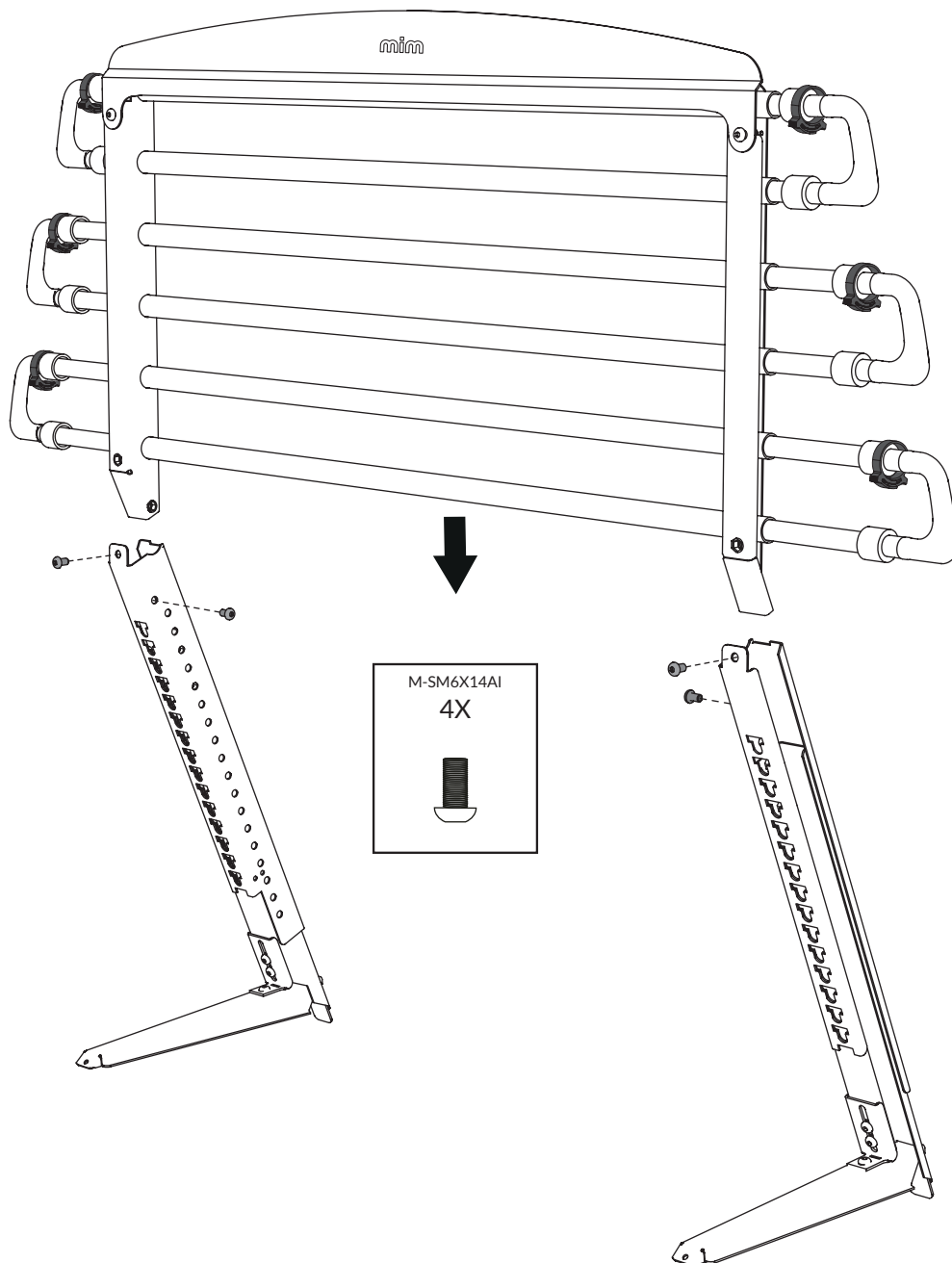
STEP  
**7**



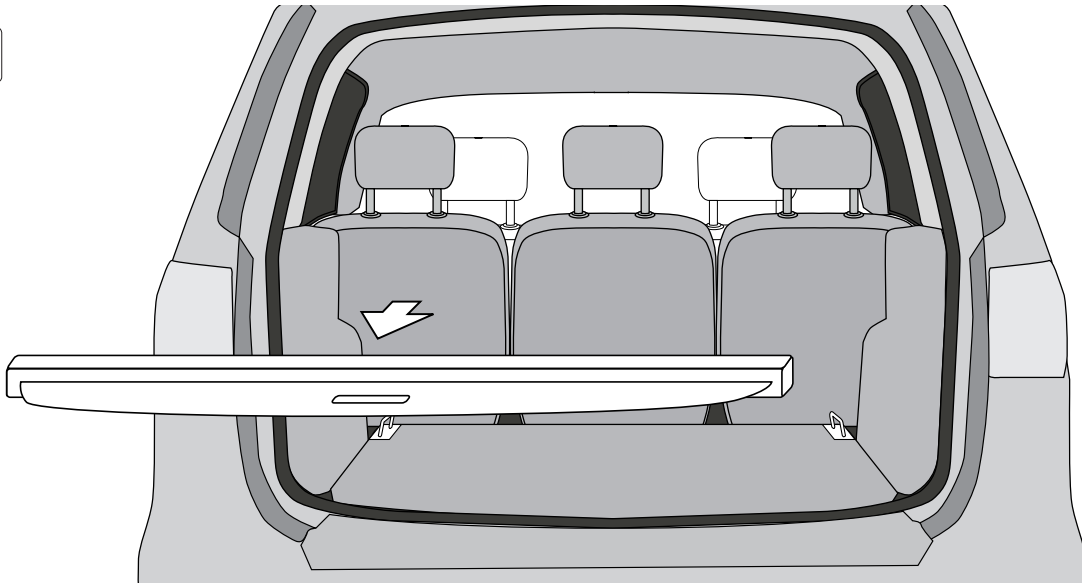
STEP  
**8**



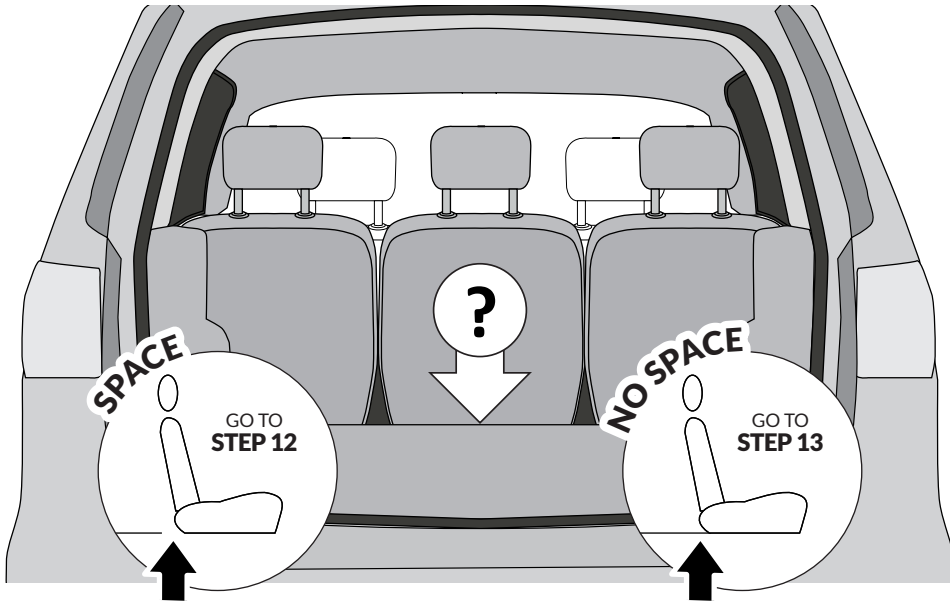
STEP  
**9**



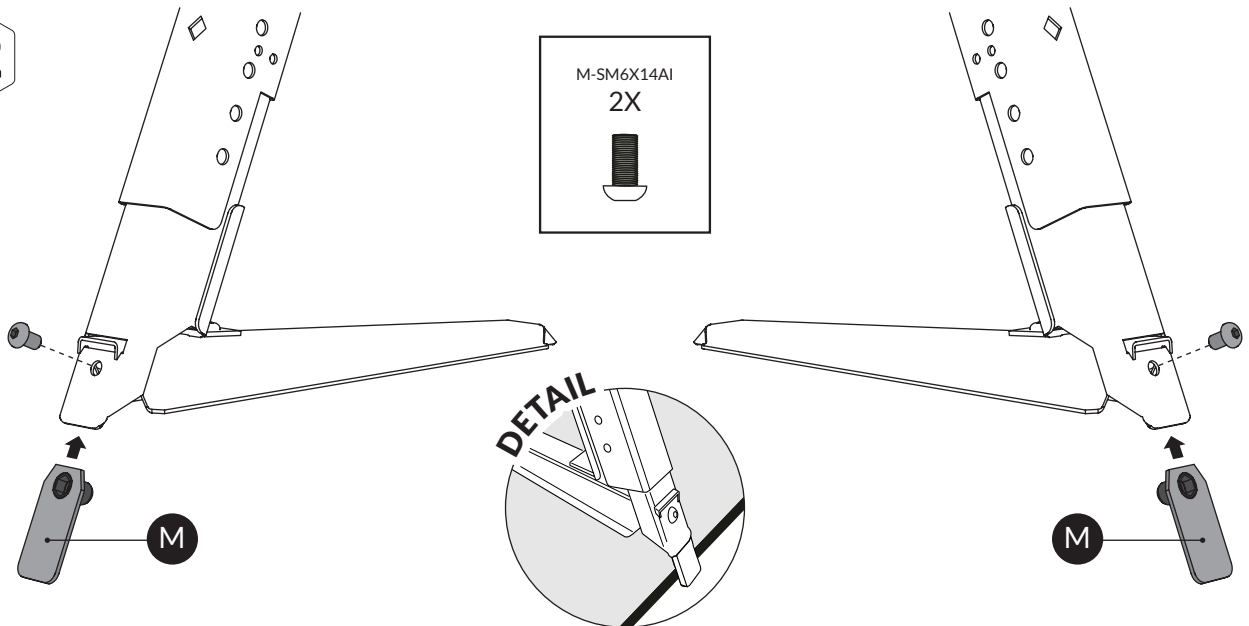
STEP  
**10**



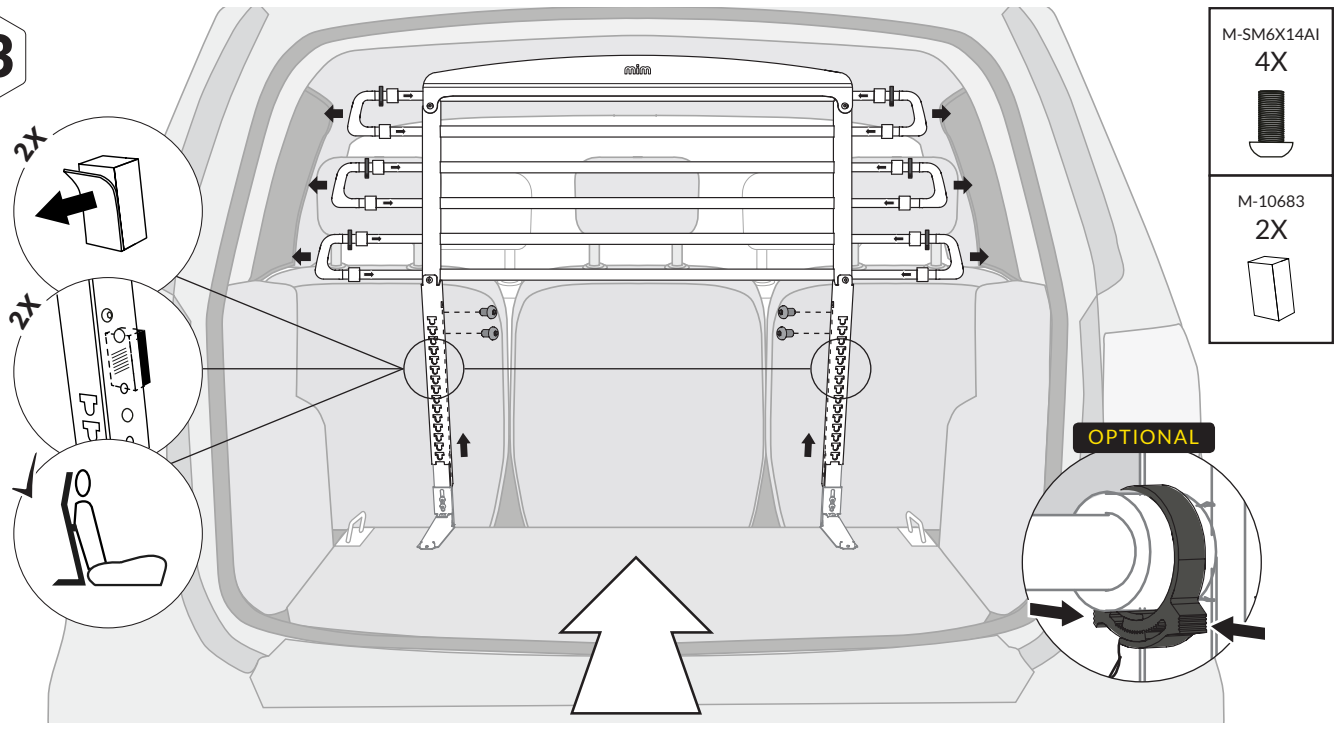
STEP  
**11**



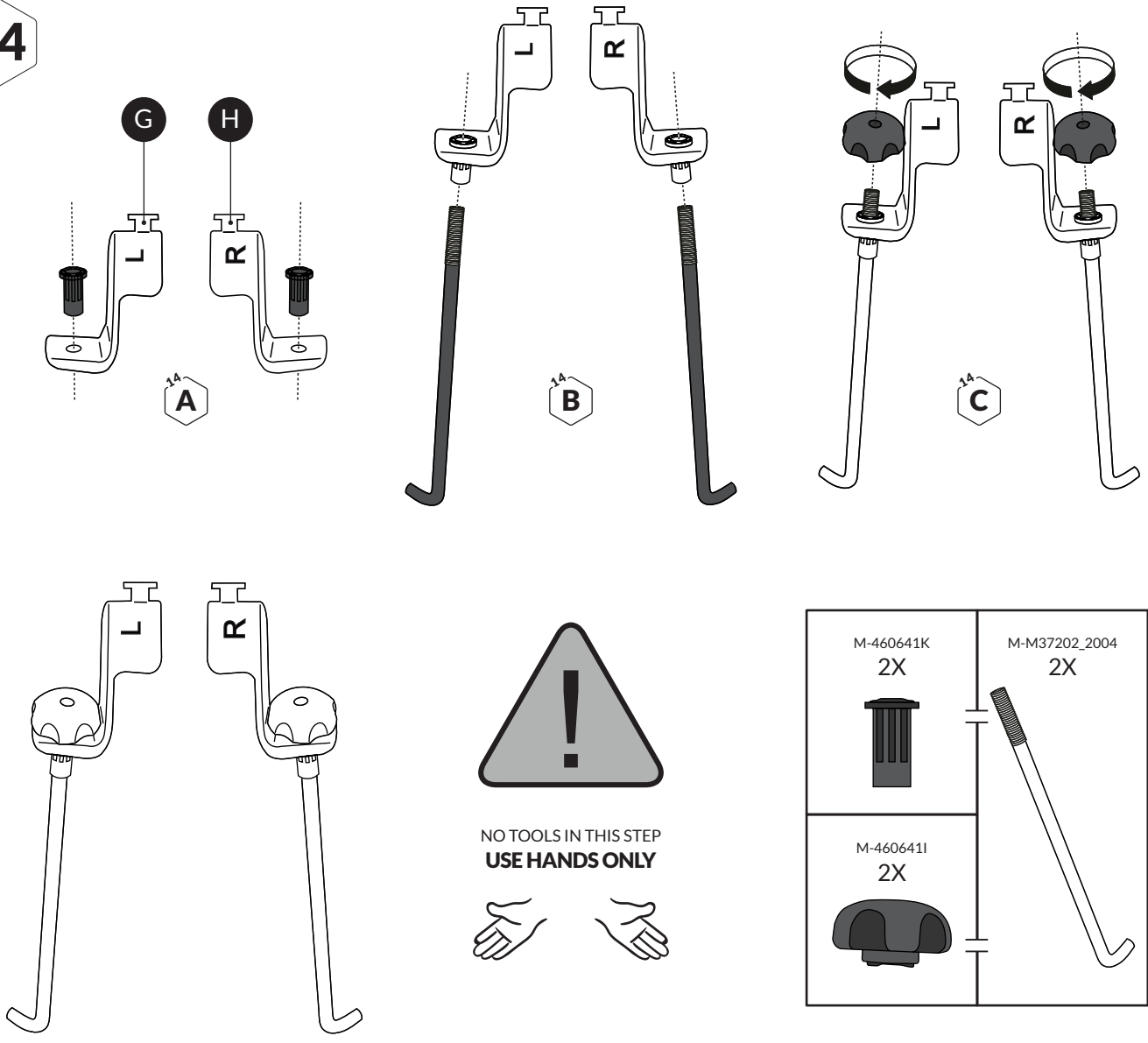
STEP  
**12**



STEP  
**13**



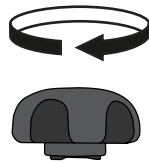
STEP  
**14**



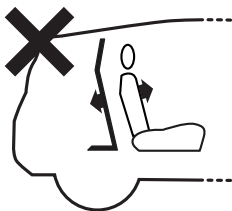
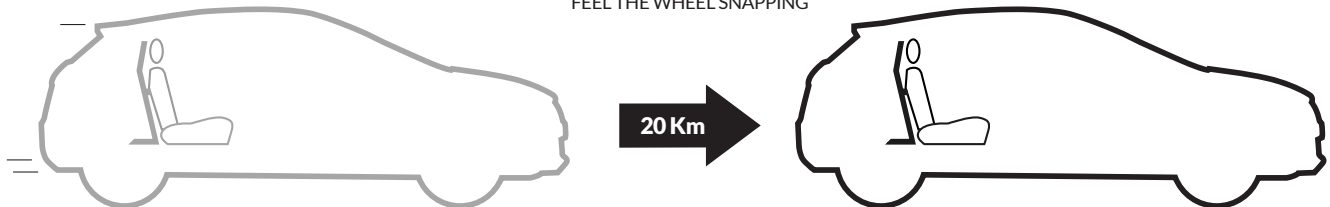
STEP  
**15**



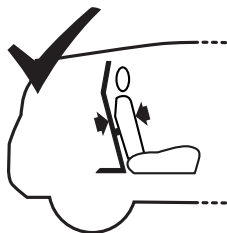
STEP  
**16**



USE HANDS ONLY  
**TIGHTEN THE WHEELS AGAIN**  
FEEL THE WHEEL SNAPPING

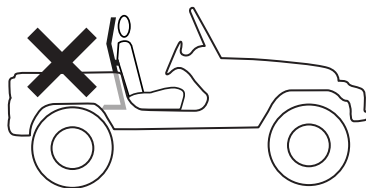


VarioBarrier must  
**ALWAYS BE PLACED**  
against the back seat



**WARNING**

VarioBarrier is  
**NOT SUITABLE FOR**  
outdoor use



Wipe with a  
**DAMP CLOTH**  
with soap

