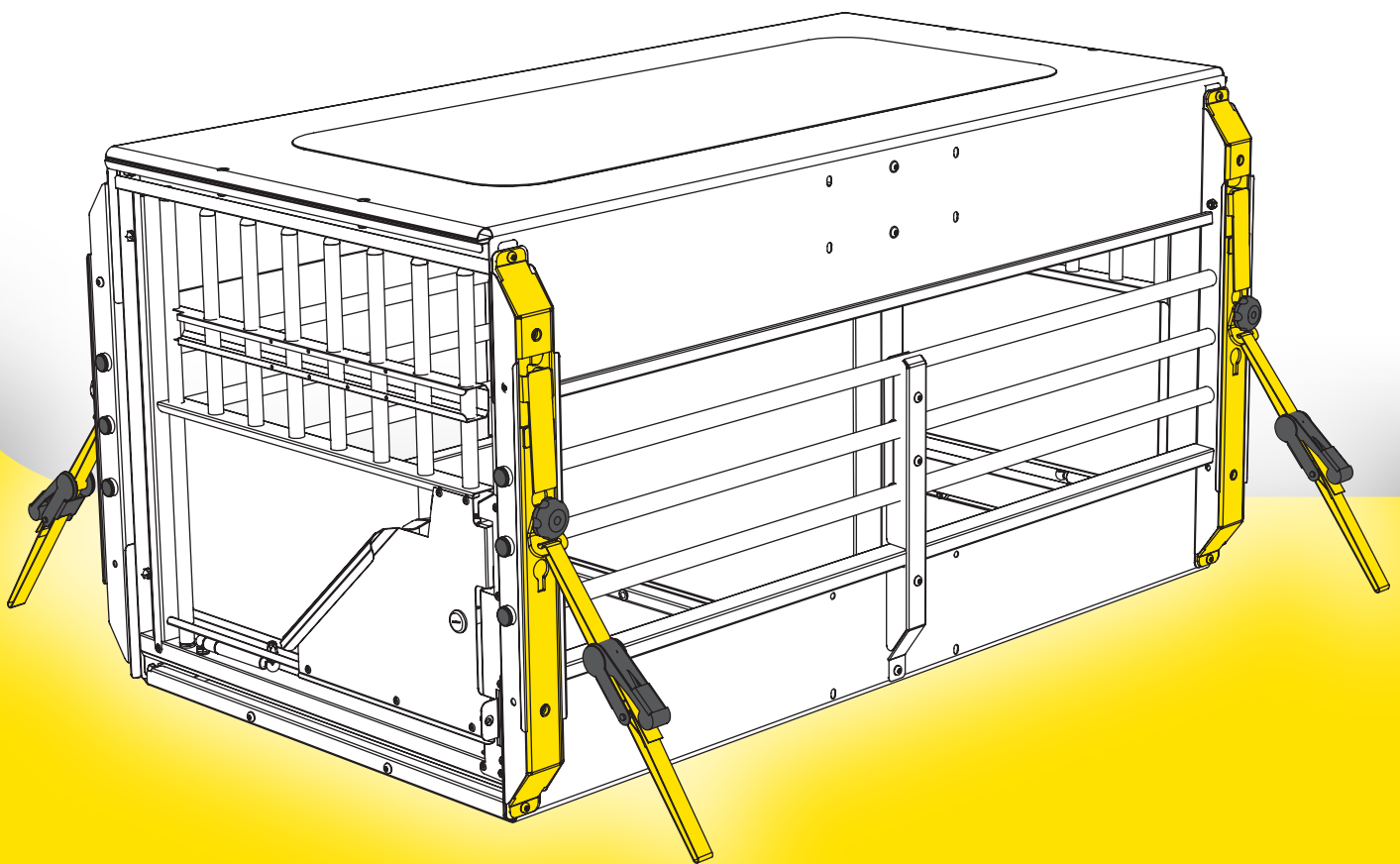


mimSAFE

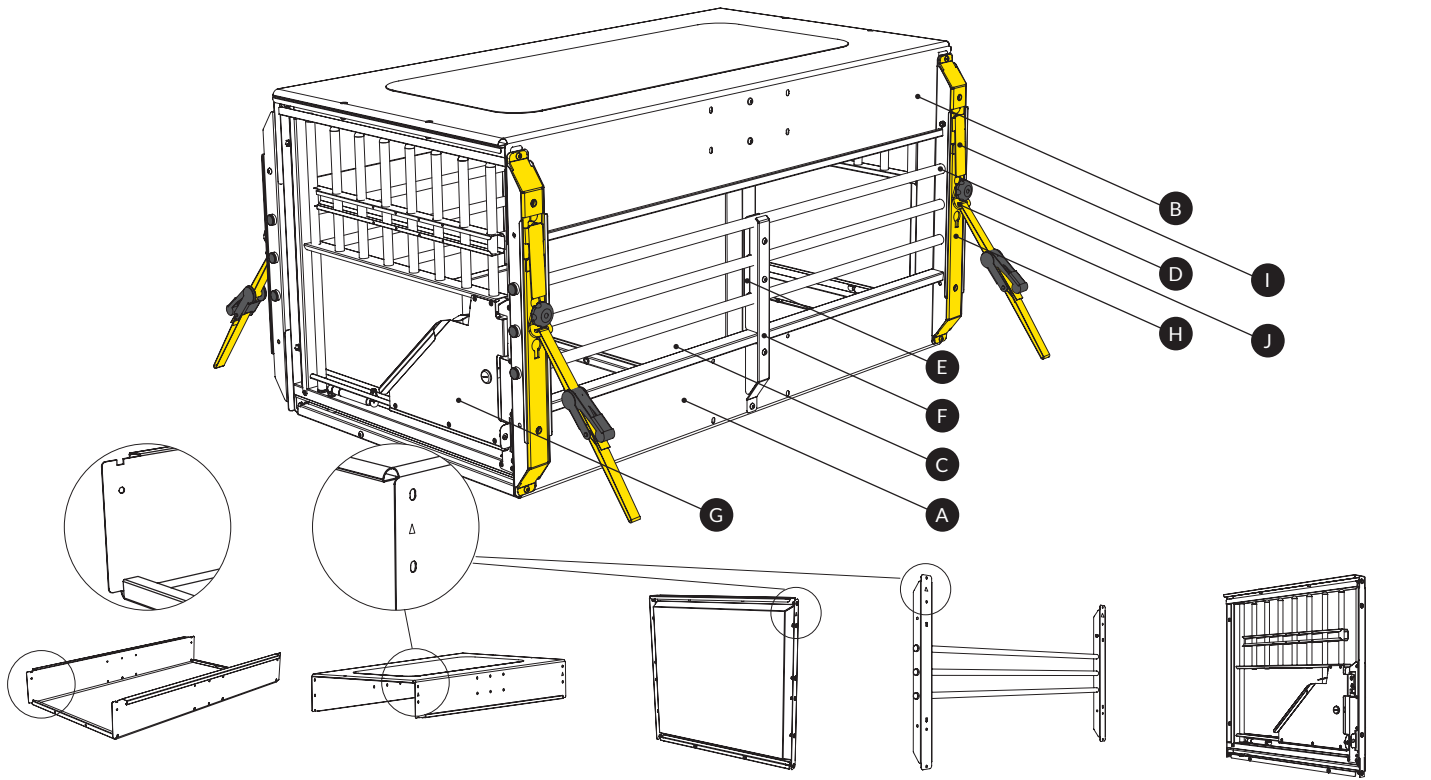
www.mimsafe.se



ASSEMBLY INSTRUCTIONS

MULTICAGE

double



A Floor

B Roof

C Divider panel

D Sidebars

G Door section

| | |
|-------------------------|-------------|
| 6254A 6260A 6275A | 1X |
| Product no | No of items |

| | |
|-------------------------|-------------|
| 6254E 6260E 6275E | 1X |
| Product no | No of items |

| | |
|-------------------------|-------------|
| 6254J 6260J 6275J | 1X |
| Product no | No of items |

| | |
|-------------------------|-------------|
| 6254C 6260C 6275C | 2X |
| Product no | No of items |

| | |
|-------------------------|-------------|
| 6254I 6260I 6275I | 2X |
| Product no | No of items |



E Divider anchor

F Divider anchor

H Frame bar

I Handle

J Anchor

K Locking plate

| | |
|-------------------------|-------------|
| 6254M 6260M 6275M | 2X |
| Product no | No of items |

| | |
|-------------------------|-------------|
| 6254S 6260S 6275S | 2X |
| Product no | No of items |

| | |
|-------------------------|-------------|
| 6254N 6260N 6275N | 4X |
| Product no | No of items |

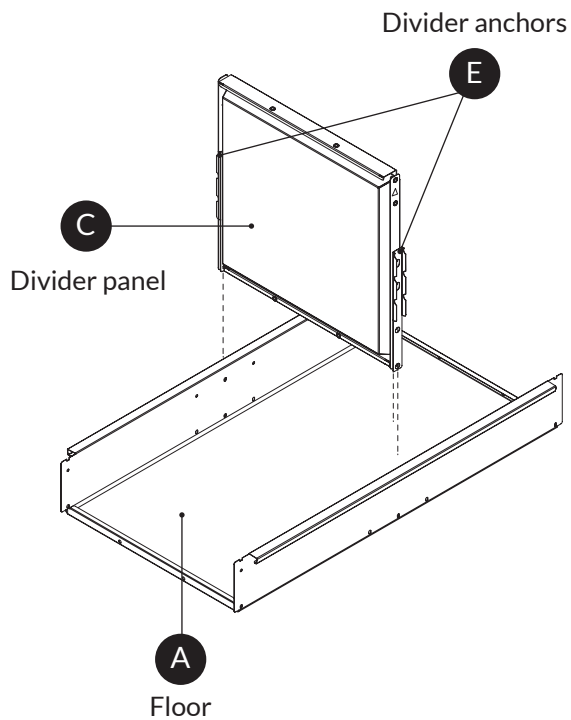
| | |
|------------|-------------|
| 6260P | 4X |
| Product no | No of items |

| | |
|------------|-------------|
| 6260R | 4X |
| Product no | No of items |

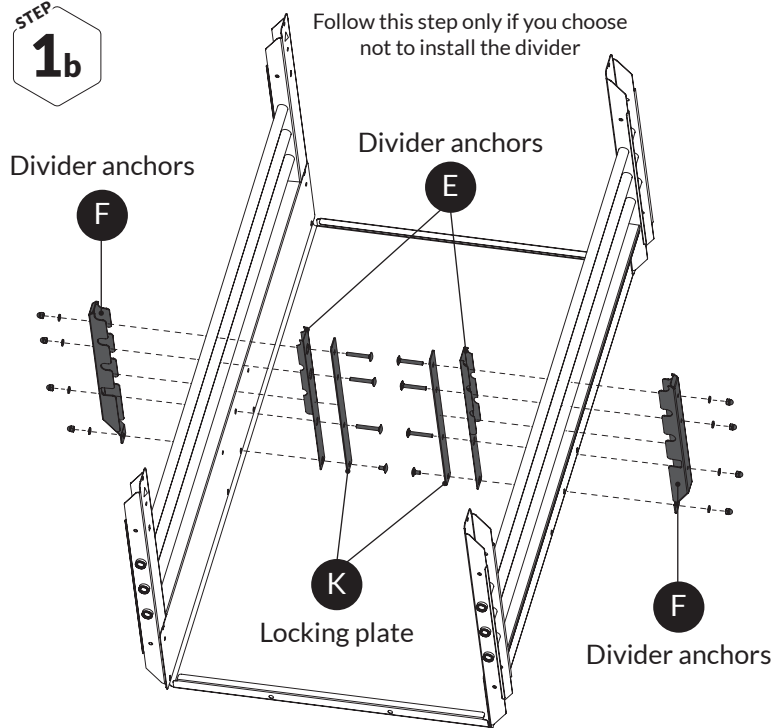
| | |
|-------------------------|-------------|
| 6254T 6260T 6275T | 2X |
| Product no | No of items |

| | | | | | | | | |
|-------------------------------|---|-----------------------|-------------------------|------------------------|------------------------|-------------------------------|------------------------|-------------------------|
| ALLEN KEY 4 1X | IKP1915-17S 6254C - 8X 6260C - 12X 6275C - 20X plastic end caps | M-460641I 4X | M-BR8x19x1,5S 4X | M-VBM8x20S88 4X | M-B1687-6SLD 2X | M-SFF206M622S 2X | M-VBM6x12FZB 2X | M-BR6,4x12x1S 8X |
| Combination spanner 1X | M-10520 4X | M-SM6x14IA 30X | M-SM6x45-IK 6X | M-SM6x55-IK 4X | M-MM6NyS 4X | M-460641D 4X rubber | M-VBM6x45FZB 6X | M-MM6MHM-6FZB 8X |

STEP
1a

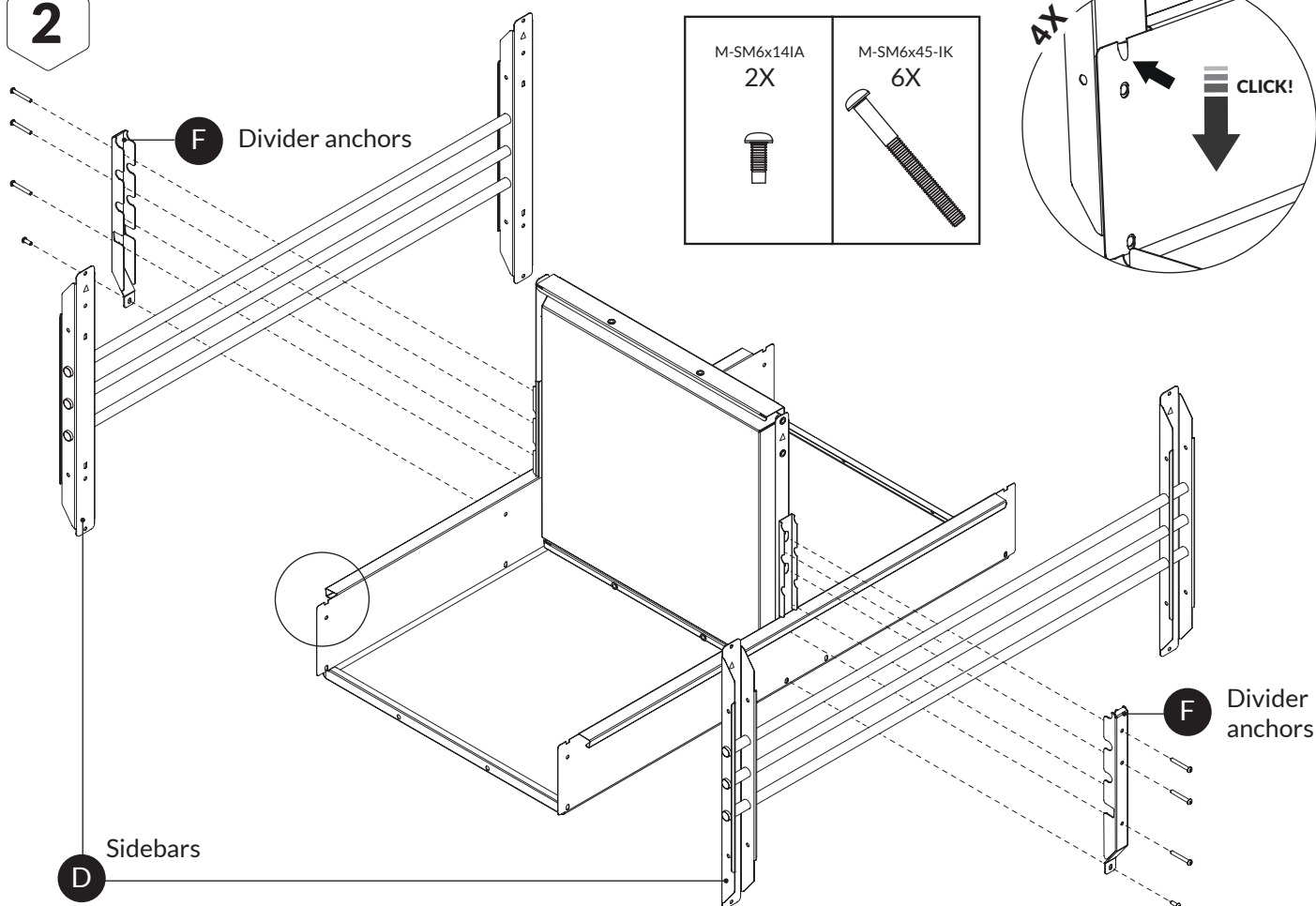


STEP
1b



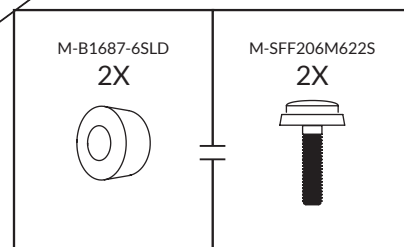
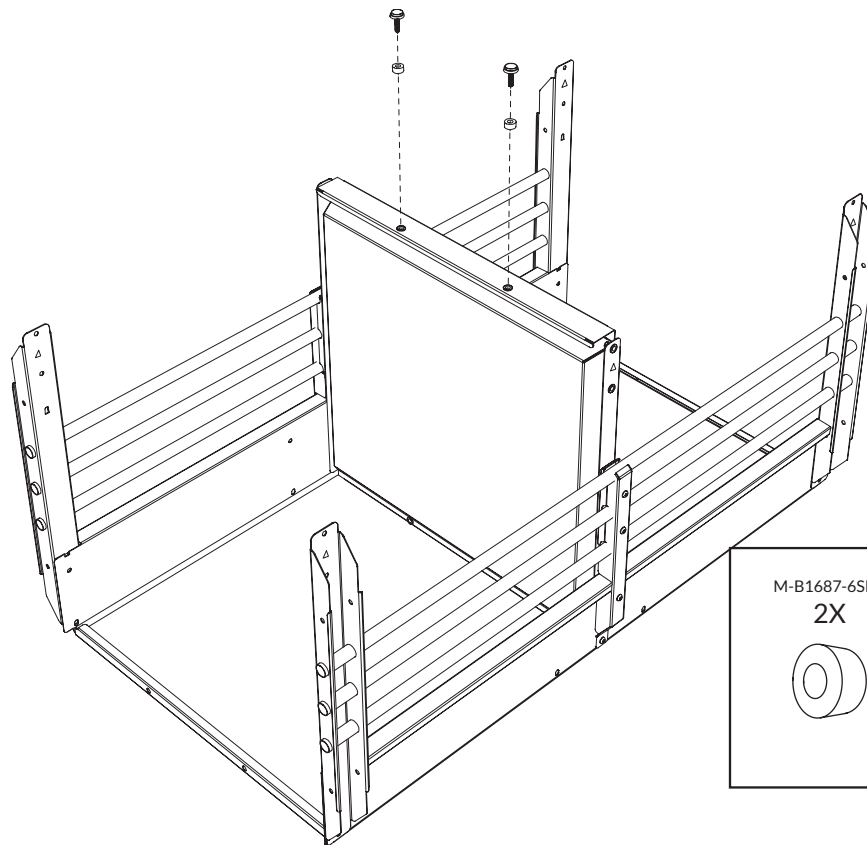
| | | | |
|--------------------|--------------------|---------------------|---------------------|
| M-VBM6x45FZB 6X | M-VBM6x12FZB 2X | M-BR6,4x12x15 8X | M-MM6MHM-6FZB 8X |
| | | | |

STEP
2

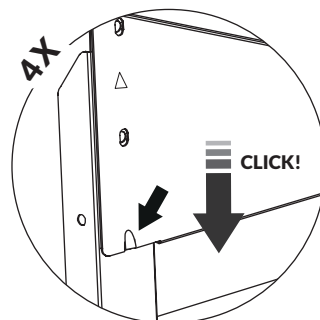
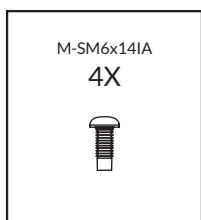
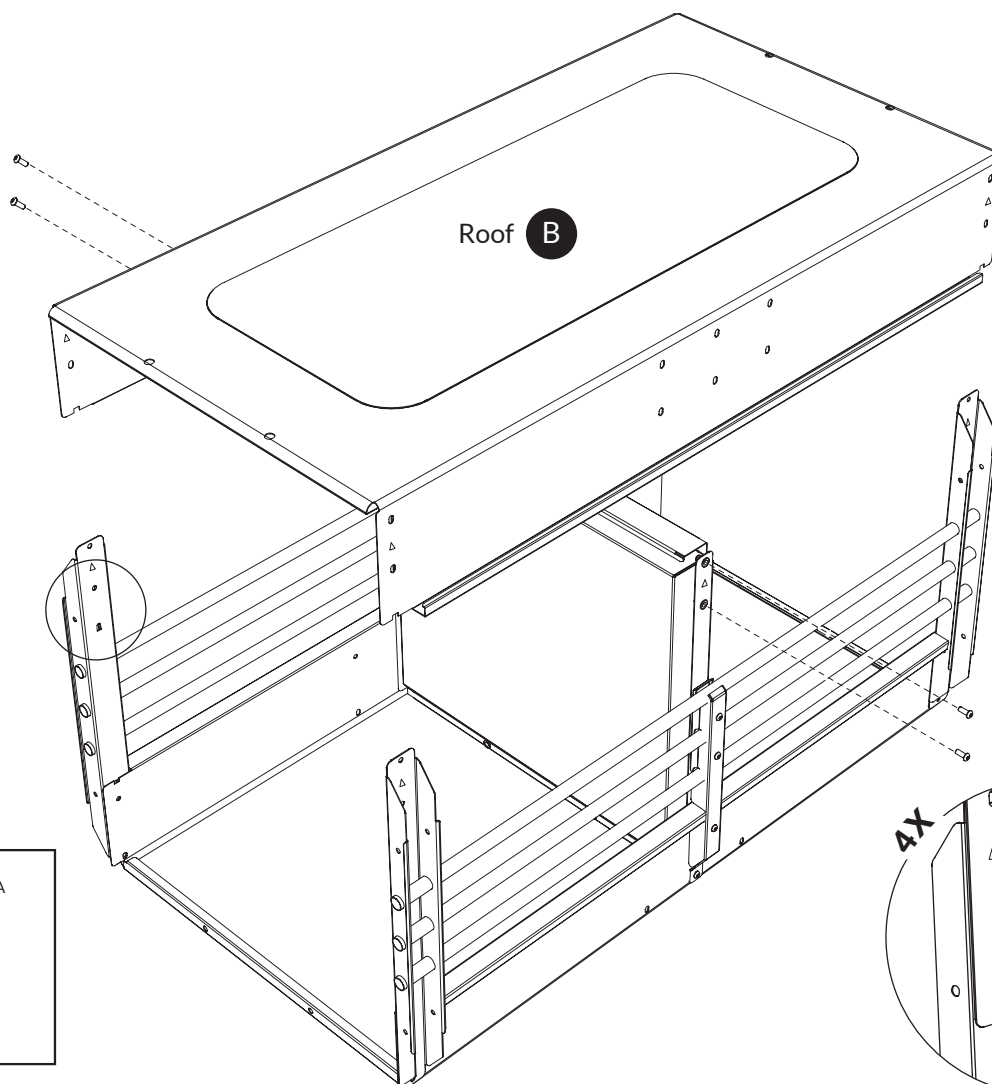


| | |
|------------------|-------------------|
| M-SM6x14IA 2X | M-SM6x45-IK 6X |
| | |

STEP
3



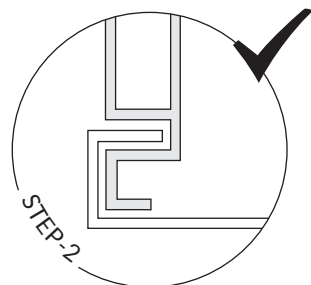
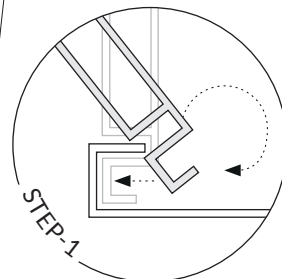
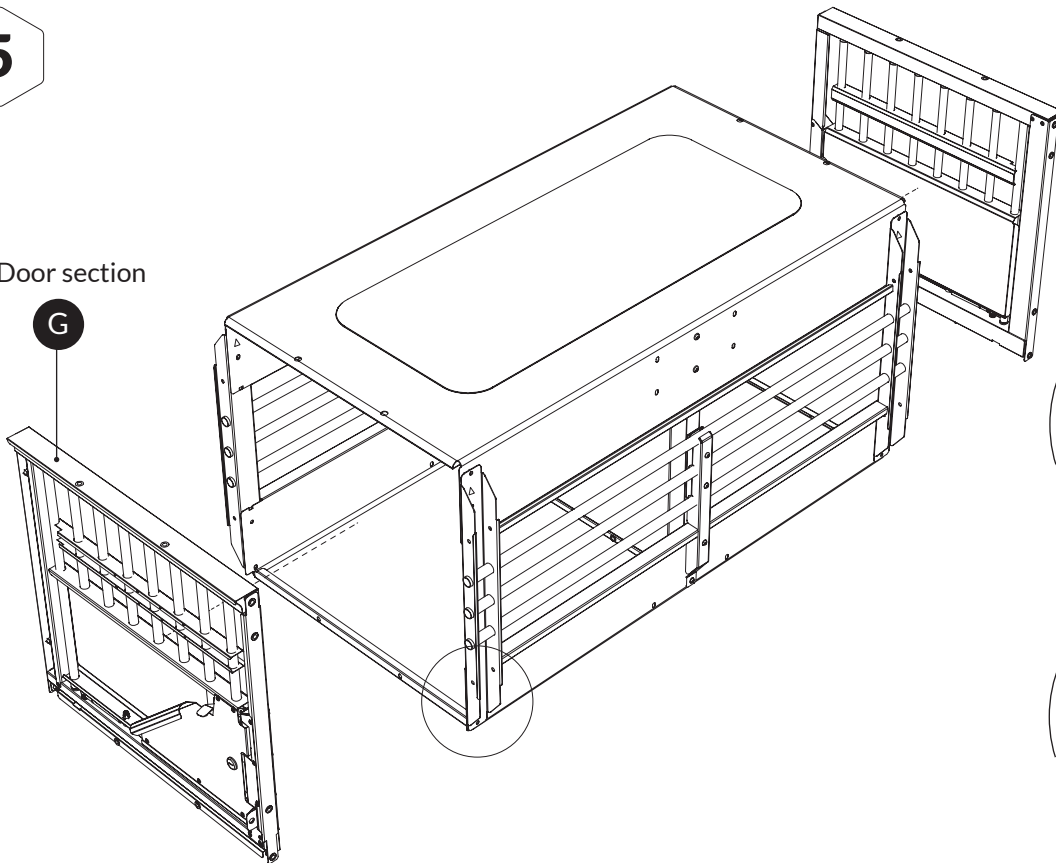
STEP
4



STEP
5

Door section

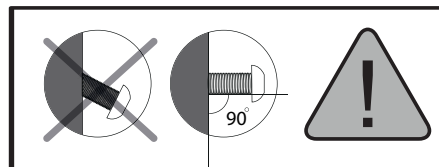
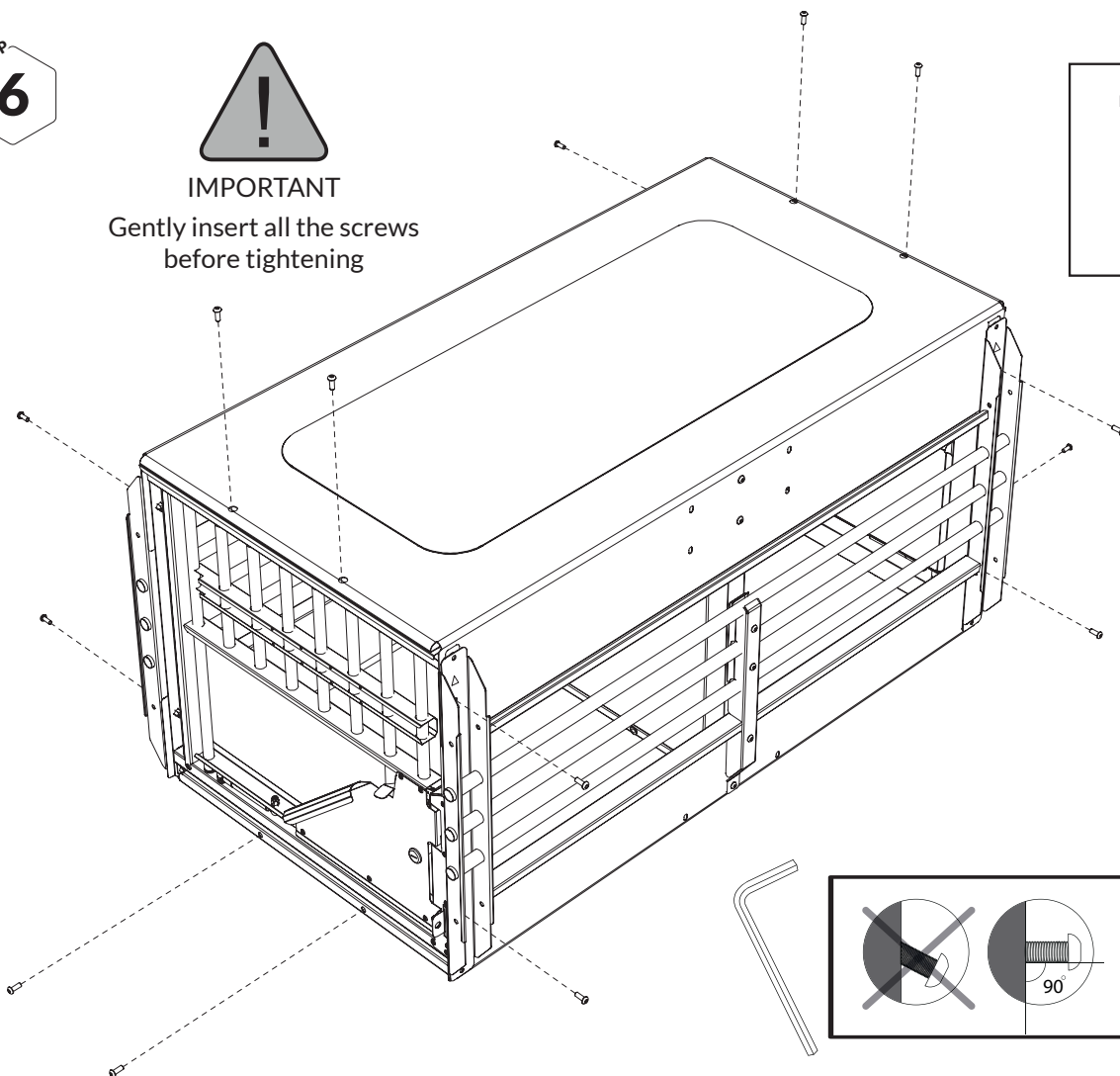
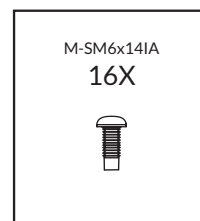
G



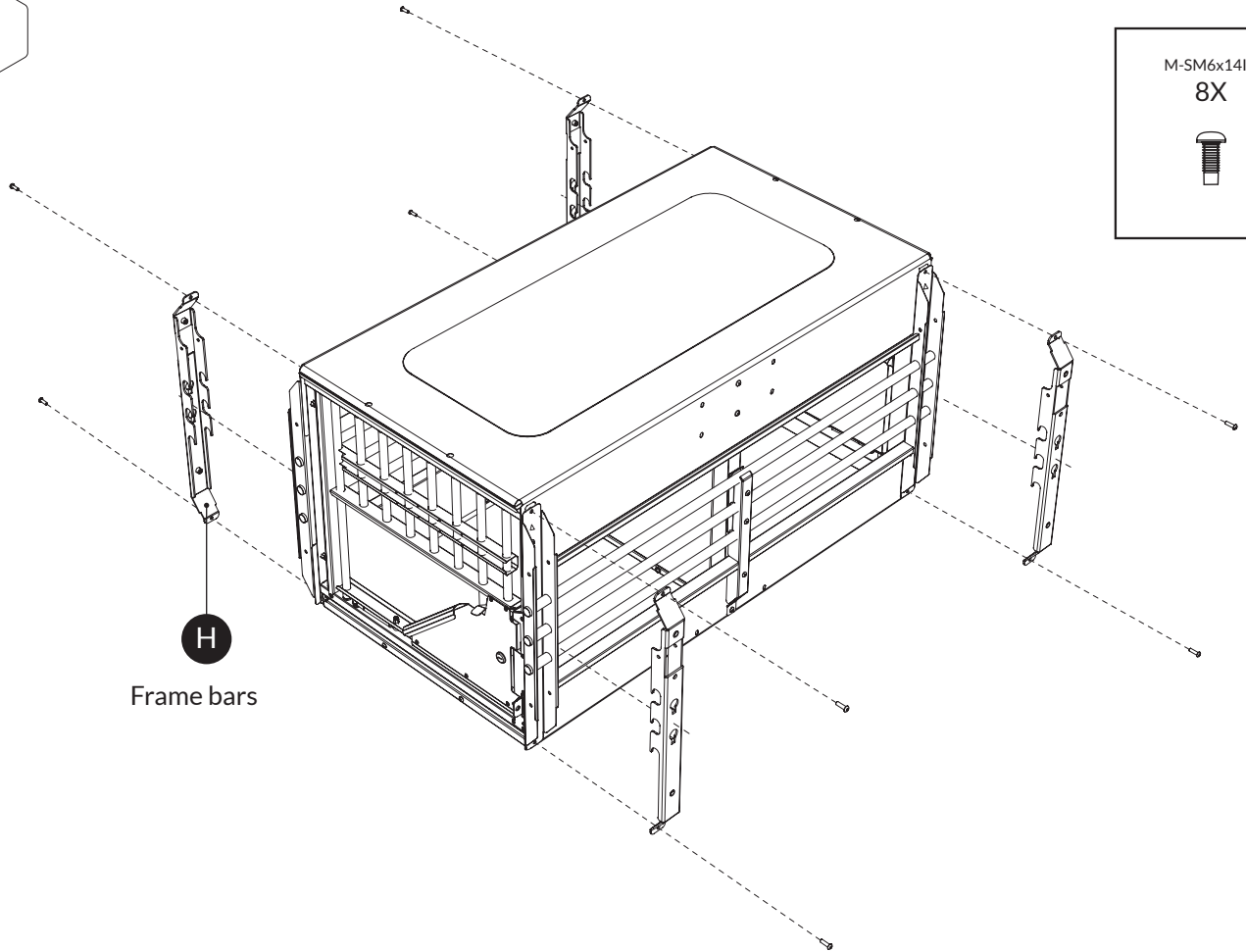
STEP
6



IMPORTANT
Gently insert all the screws
before tightening



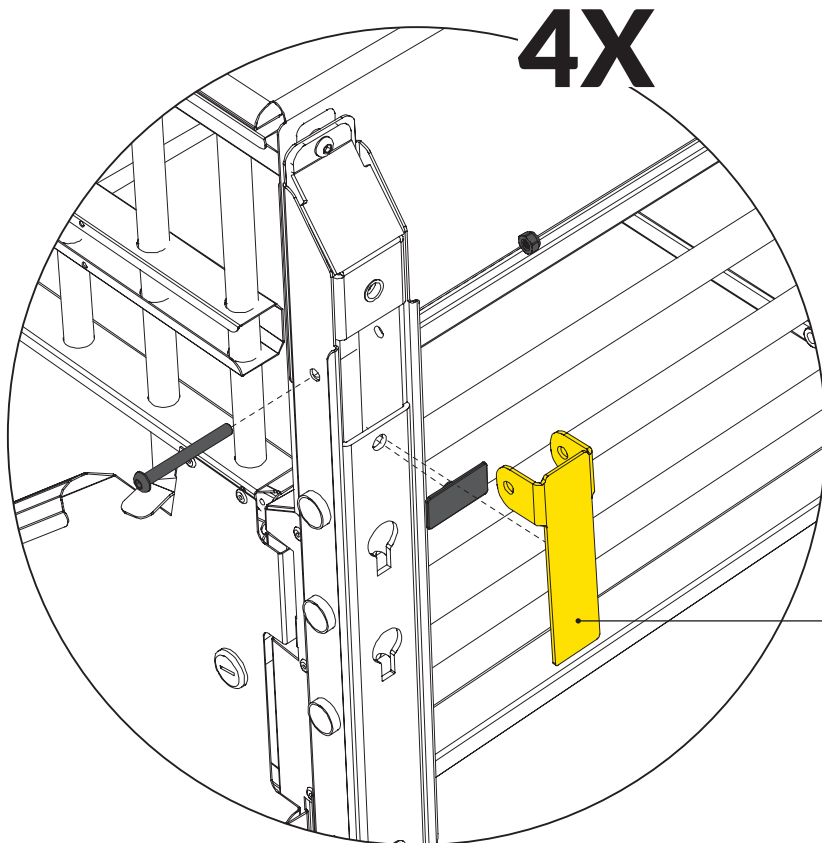
STEP
7





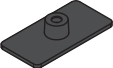
M-SM6x14IA
8X



STEP
8

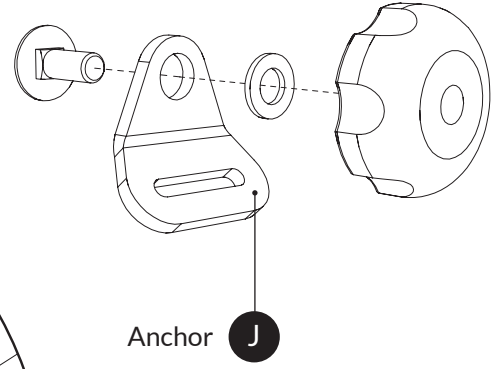
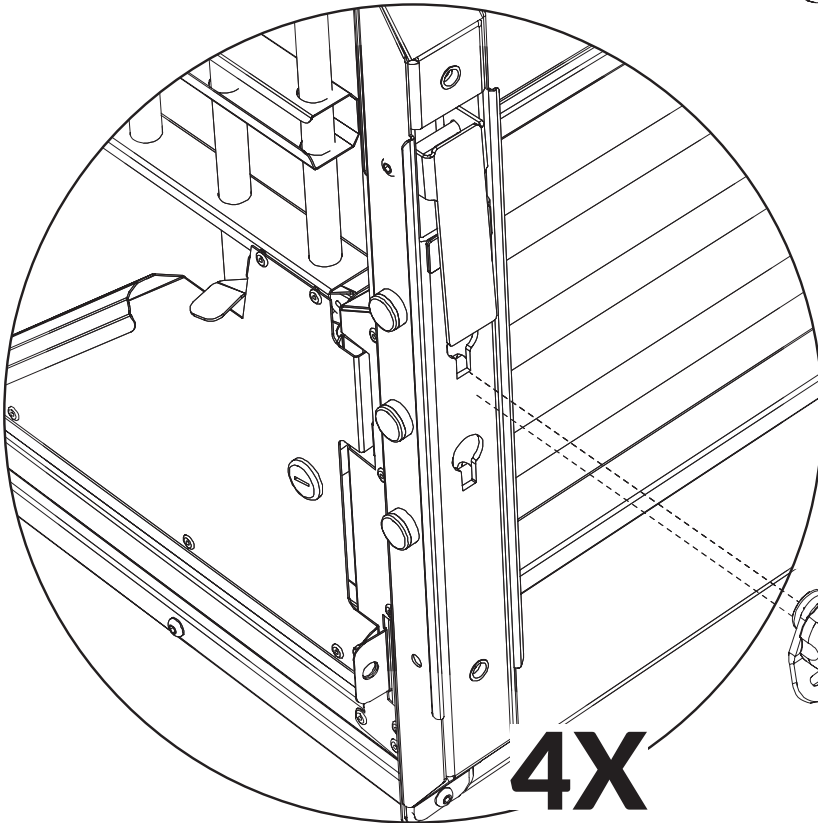


4X

| | |
|---|---|
| M-SM6x55-IK 4X | M-MM6Nys 4X |
|  |  |
| M-460641D 4X | |
|  | |
| rubber | |

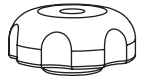
H Handle

STEP
9



Anchor **J**

M-4606411
4X



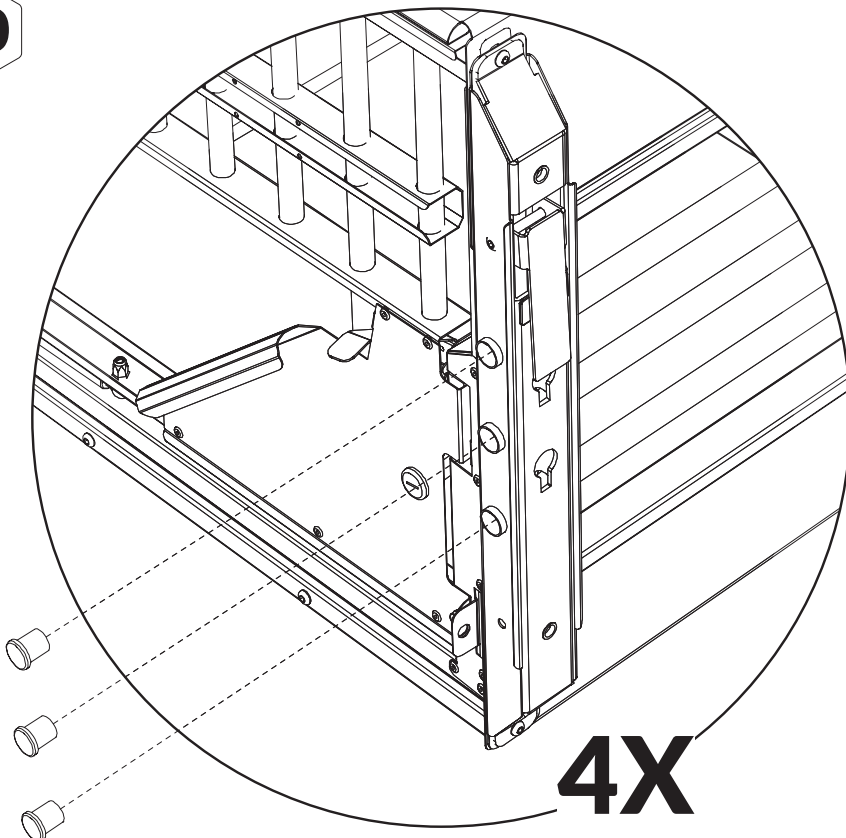
M-BR8x19x1,55
4X



M-VBM8x20S88
4X



STEP
10



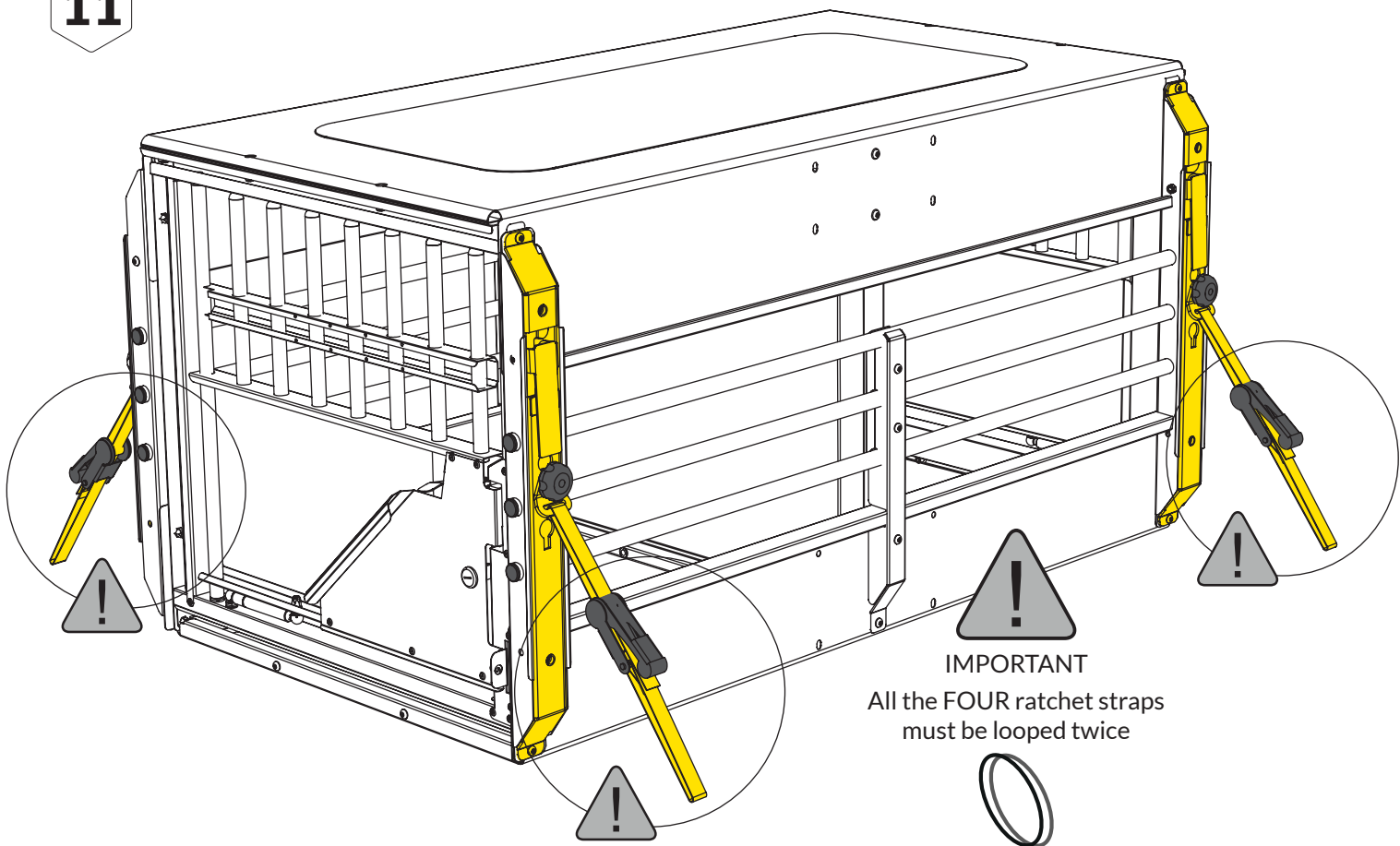
IKP1915-17S

6254C - 8X
6260C - 12X
6275C - 20X

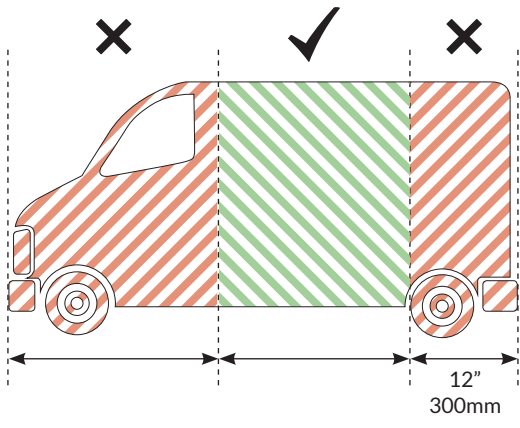


plastic end caps

STEP
11



IMPORTANT
All the **FOUR** ratchet straps
must be looped twice



Where to place the MultiCage

